



BXUV.K912

Design/System/Construction/Assembly Usage Disclaimer

- Authorities Having Jurisdiction should be consulted in all cases as to the particular requirements covering the installation and use of UL Certified products, equipment, system, devices, and materials.
- Authorities Having Jurisdiction should be consulted before construction.
- Fire resistance assemblies and products are developed by the design submitter and have been investigated by UL for compliance with applicable requirements. The published information cannot always address every construction nuance encountered in the field.
- When field issues arise, it is recommended the first contact for assistance be the technical service staff provided by the product manufacturer noted for the design. Users of fire resistance assemblies are advised to consult the general Guide Information for each product category and each group of assemblies. The Guide Information includes specifics concerning alternate materials and alternate methods of construction.
- Only products which bear UL's Mark are considered Certified.

BXUV - Fire Resistance Ratings - ANSI/UL 263 Certified for United States

BXUV7 - Fire Resistance Ratings - CAN/ULC-S101 Certified for Canada

See General Information for Fire-resistance Ratings - ANSI/UL 263 Certified for United States
Design Criteria and Allowable Variances

See General Information for Fire Resistance Ratings - CAN/ULC-S101 Certified for Canada
Design Criteria and Allowable Variances

Design No. K912

March 10, 2020

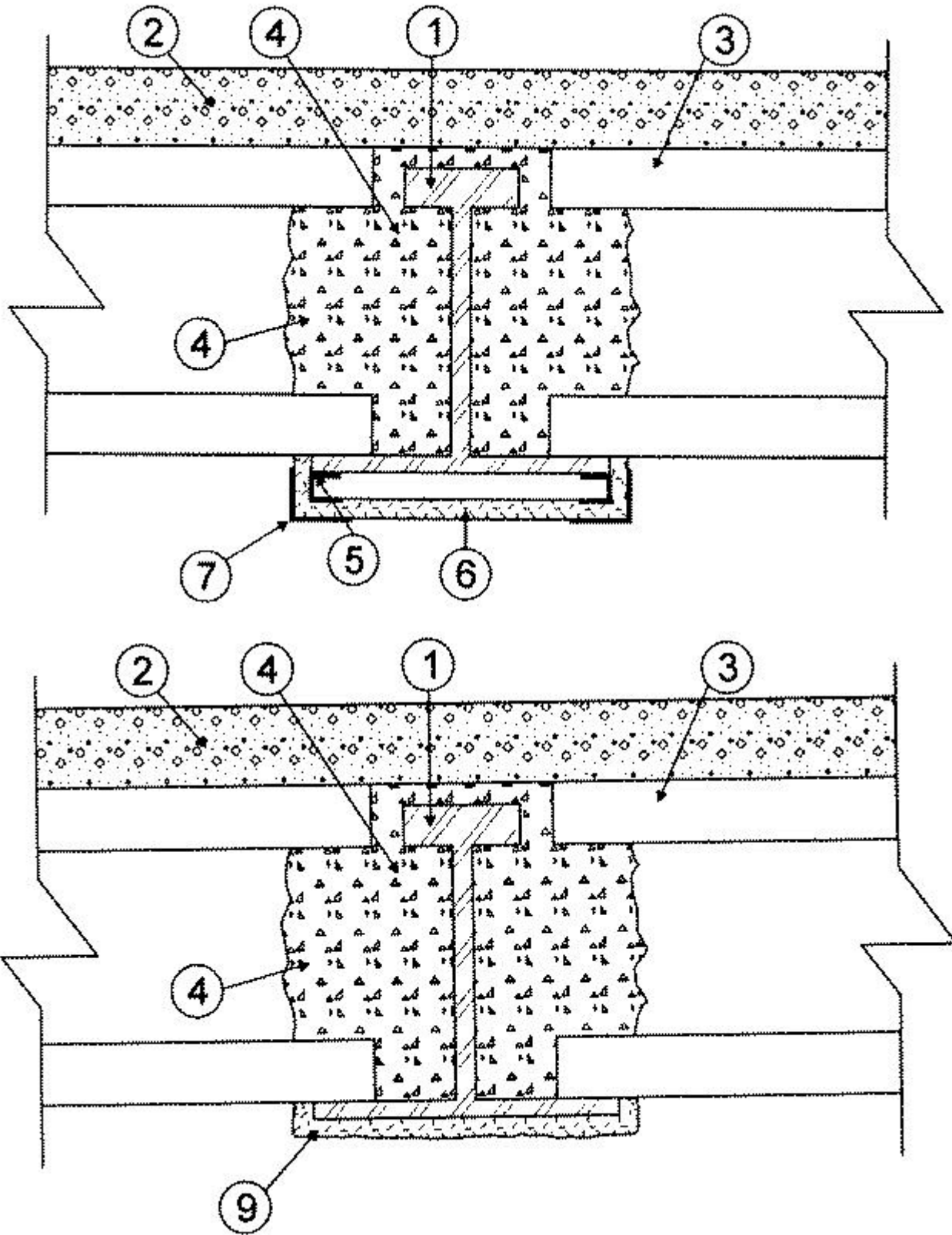
Restrained Assembly Ratings - 2 or 3 Hr (See Item 2)

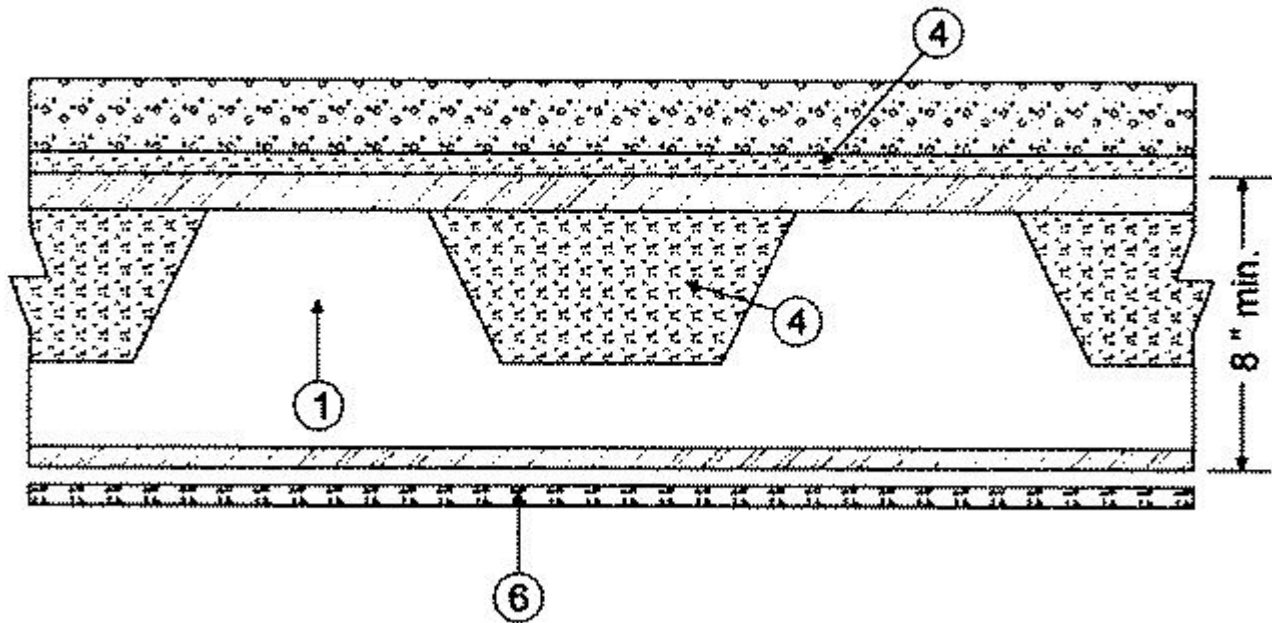
Unrestrained Assembly Ratings - 2 Hr

Unrestrained Beam Ratings - 2 Hr

This design was evaluated using a load design method other than the Limit States Design Method (e.g., Working Stress Design Method). For jurisdictions employing the Limit States Design Method, such as Canada, a load restriction factor shall be used — See Guide BXUV or BXUV7

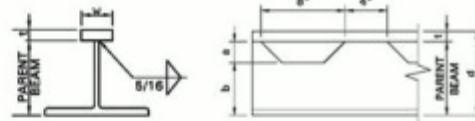
*** Indicates such products shall bear the UL or cUL Certification Mark for jurisdictions employing the UL or cUL Certification (such as Canada), respectively.**





1. **Steel Beam** — Composite dissymmetric steel beam fabricated from structural steel members in accordance with the Specification for the Design, Fabrication and Erection of Structural Steel for Buildings, published by the American Institute of Steel Construction. The castellated steel beam, with a partially open web consists of the bottom flange and partial web with a bar welded to the web that serves as the top flange and conforms to the following requirements:

Dissymmetric Beam Dimensions



Dissymmetric Beam Designation	Web Included Weight (lb/ft)	Average Area (in ²)	Depth (d) (in)	Parent Beam Size	Web Thickness (t _w) (in)	Flange Thickness (t _f) (in)	Flange Width (b _f) (in)	a (in)	b (in)	w (in)	t (in)
DB 8 x 37	36.7	10.8	8	W 12 x 53	3/8	8/16	10	2	5	3	1
DB 8 x 39	39.2	11.5	8	W 12 x 58	3/8	5/8	10	1 ^{3/4}	5 ^{3/4}	3	1
DB 8 x 42	41.8	12.3	8	W 12 x 53	3/8	9/16	10	1	5 ^{1/2}	3	1 ^{1/2}
DB 8 x 45	44.3	13.0	8	W 12 x 58	3/8	5/8	10	3/4	5 ^{3/4}	3	1 ^{1/2}
DB 8 x 57	56.5	16.6	8	W 12 x 79	1/2	3/4	12 ^{1/2}	1 ^{1/2}	5 ^{1/2}	5	1
DB 8 x 61	60.8	17.9	8	W 12 x 79	1/2	3/4	12 ^{1/2}	1 ^{1/2}	5 ^{1/2}	5	1 ^{1/4}
DB 9 x 41	40.7	12.0	9 ^{1/2}	W 14 x 61	3/8	5/8	10	3 ^{1/2}	5 ^{1/4}	3	1
DB 9 x 45	44.2	13.0	9 ^{3/4}	W 14 x 68	7/16	3/4	10	3 ^{1/2}	5 ^{1/4}	3	1
DB 9 x 46	45.8	13.5	9 ^{1/2}	W 14 x 61	3/8	5/8	10	2 ^{1/2}	5 ^{3/4}	3	1 ^{1/2}
DB 9 x 48	47.2	13.9	9 ^{13/16}	W 14 x 74	7/16	13/16	10 ^{1/2}	3 ^{1/2}	5 ^{1/4}	3	1
DB 9 x 49	49.3	14.5	9 ^{3/4}	W 14 x 68	7/16	3/4	10	2 ^{1/2}	5 ^{3/4}	3	1 ^{1/2}
DB 9 x 52	52.3	15.4	9 ^{13/16}	W 14 x 74	7/16	13/16	10 ^{1/2}	2 ^{1/2}	5 ^{1/4}	3	1 ^{1/2}
DB 9 x 57	56.5	16.6	9 ^{3/4}	W 12 x 79	1/2	3/4	12 ^{1/2}	5 ^{1/2}	3 ^{1/2}	5	1
DB 9 x 65	65.0	19.1	9 ^{3/4}	W 12 x 79	1/2	3/4	12 ^{1/2}	4 ^{1/2}	4 ^{1/2}	5	1 ^{1/2}

2. **Concrete Topping** — (Optional for unrestrained rating) — 3000 psi compressive strength, 150 (+ or -) 3 pcf unit weight. Normal weight concrete. Min 1-1/8 in. thickness required for 3 hr Restrained Assembly Rating.

Rating Hr	Min. Material Thickness (In.)
2	0
3	1-1/8

3. **Precast Concrete Units*** — Carbonate, siliceous or lightweight aggregate. Min 8 in. thick by 4 or 8 ft wide units with cross section similar to that shown for Design No. J952. Openings may be provided through the units for piping, ducts or similar services and should be suitably enclosed with constructions having at least equal resistance, acceptable to authorities having jurisdiction. Units have a min 1-1/2 in. bearing on the bottom flange of Item 1.

4. **Grout** — Sand-cement grout (3500 psi min compressive strength). Min avg thickness of 9/16 in. above top bar. Hollow cores in precast concrete units grouted 6 in. min from beam web.

5. **Runner Channel** — Fabricated from 25 MSG galv steel, min 1/2 in. deep, with 1 in. legs, fastened to steel beam with XZF powder actuated pins spaced 12 in. OC.

6. **Gypsum Board*** — 1/2 or 5/8 in. thick gypsum board fastened to runner channels with 1 in. long, 0.150 in. diam steel screws spaced 16 in. OC.

AMERICAN GYPSUM CO — Types AG-C

CERTAINTED GYPSUM INC — Type FRPC, SF3, Type C

CGC INC — Type C

CONTINENTAL BUILDING PRODUCTS OPERATING CO, L L C — Type LGFC-C/A

GEORGIA-PACIFIC GYPSUM L L C — Type 5

GEORGIA-PACIFIC GYPSUM L L C — Type TG-C

NATIONAL GYPSUM CO — Types FSW-C, FSW-G

PABCO BUILDING PRODUCTS L L C, DBA PABCO GYPSUM — Types C, PG-C

THAI GYPSUM PRODUCTS PCL — Type C

UNITED STATES GYPSUM CO — Type C

USG MEXICO S A DE C V — Type C

7. **Corner Bead** — Fabricated from min 28 MSG galv steel to form an angle with 1-1/4 in. legs. Legs perforated with 1/4 in. diam holes approximately 1 in. OC. Attached to runner channel through gypsum board with 1 in. long, 0.150 in. diam steel screws spaced 16 in. OC.

8. **Joint Compound** — (Not shown) 1/32 in. thick on bottom and sides of wallboard from corner beads and feathered out. Paper tape embedded in joint compound over joints with edges of compound feathered out.

9. **Spray-Applied Fire Resistive Material*** — As an alternate to Items 5 through 8, the bottom flange of the steel beam may be protected with a spray applied fire resistive material. Applied in one coat to a final untamped thickness of 3/8 in. to steel surfaces which are free of dirt, oil or scale. Min avg untamped density of 13 pcf with min ind untamped density of 11 pcf for Types II and D-C/F. Min avg and min ind untamped densities of 22 and 19 pcf, respectively, for Type HP. For Type I, min avg density of 15 pcf with min ind value of 12 pcf.

ISOLATEK INTERNATIONAL — Type D-C/F, HP, I or II, Type EBS or Type X Adhesive/Sealer optional

9A. **Spray-Applied Fire Resistive Material*** — As an alternate to Items 5 through 9, the bottom flange of the steel beam and the flange tips may be protected with a spray applied fire resistive material. Applied in one coat to a final untamped thickness of 1/2 in. to steel surfaces which are free of dirt, oil or scale. Min avg and min ind density of 15/14 pcf respectively. For method of density determination, see Design Information Section.

GCP APPLIED TECHNOLOGIES INC — Types MK6/HY, MK-6ES, MK-6s, MK-10HB, MK-1000HB, RG, Z-106, Z-106G, Z-106HY, Z-146, Z-146 PC, Z-146T, Z-156, Z-156 PC, and Z-156T.

9B. **Spray-Applied Fire Resistive Material*** — As an alternate to items 5 through 9A, the bottom flange of the steel beam and the flange tips may be protected with a spray applied fire resistive material. Applied in one coat to an untamped thickness of 1/2 in. to steel surfaces which are free of dirt, oil or scale. Min. avg and min ind density of 15/14 pcf respectively for types 5GP and 5MD. Min. avg and min ind density of 19/18 pcf respectively for types 7GP and 7HD.

SOUTHWEST FIREPROOFING PRODUCTS CO — Types 5GP, 5MD, 7GP and 7HD

*** Indicates such products shall bear the UL or cUL Certification Mark for jurisdictions employing the UL or cUL Certification (such as Canada), respectively.**

Last Updated on 2020-03-10

The appearance of a company's name or product in this database does not in itself assure that products so identified have been manufactured under UL's Follow-Up Service. Only those products bearing the UL Mark should be considered to be Certified and covered under UL's Follow-Up Service. Always look for the Mark on the product.

UL permits the reproduction of the material contained in the Online Certification Directory subject to the following conditions: 1. The Guide Information, Assemblies, Constructions, Designs, Systems, and/or Certifications (files) must be presented in their entirety and in a non-misleading manner, without any manipulation of the data (or drawings). 2. The statement "Reprinted from the Online Certifications Directory with permission from UL" must appear adjacent to the extracted material. In addition, the reprinted material must include a copyright notice in the following format: "© 2020 UL LLC"