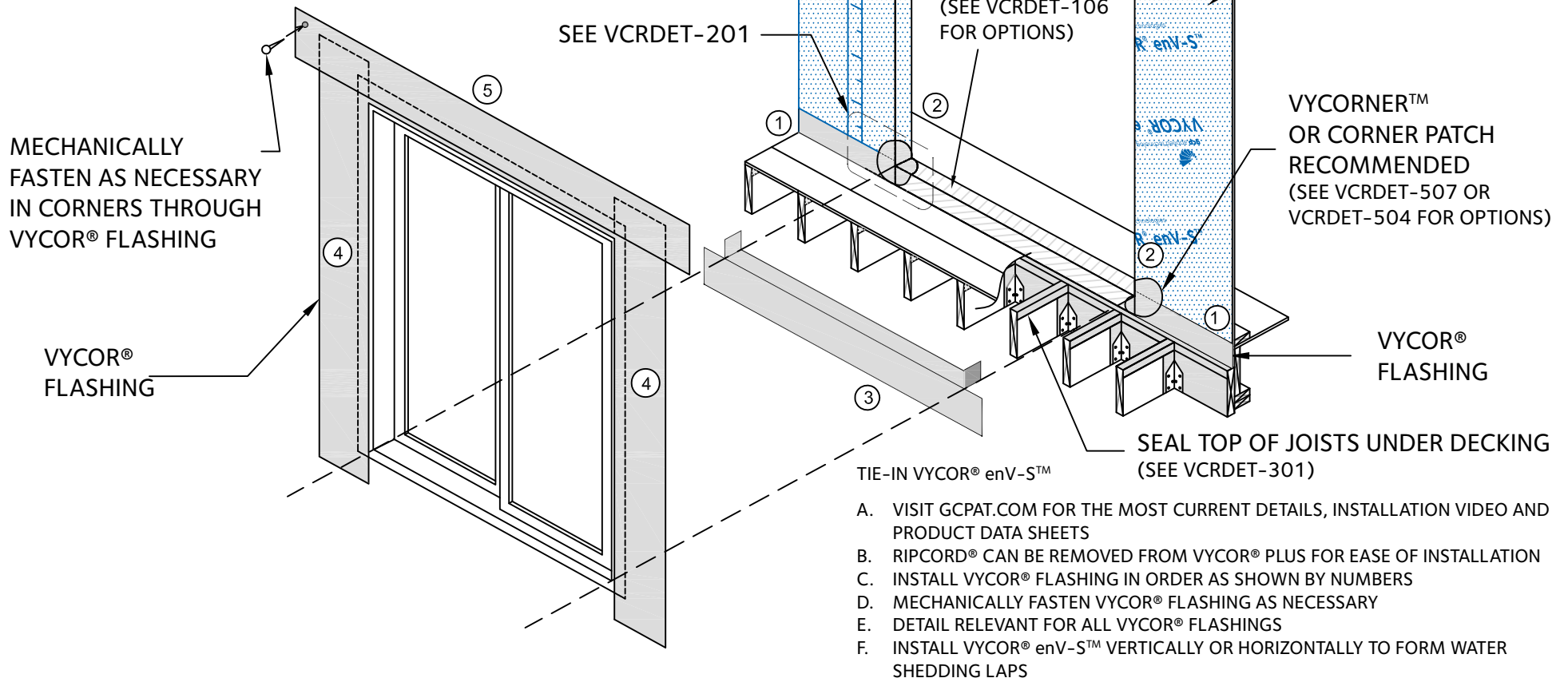


TIE-IN VYCOR® enV-S™

1. RIPCORD® HAS BEEN REMOVED AT SILL FOR EASE OF INSTALLATION AND/OR COORDINATION OF OTHER TRADES
2. INSTALL VYCOR® FLASHING HEAD FLASHING OVER VYCOR® enV-S™
3. APPLY PERM-A-BARRIER® S100 OR COMPATIBLE SEALANT TO TOP LEADING EDGE OF HEAD FLASHING AND ALL NON SHEDDING EDGES



EXTERIOR SLIDING DOOR WITH DECK

FLASHING INSTALLATION AFTER VYCOR® enV-S™

VYCOR® SELF-ADHERED FLASHING