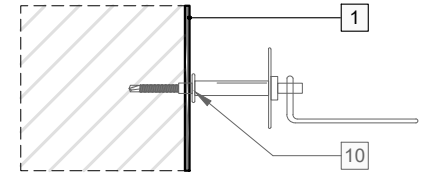
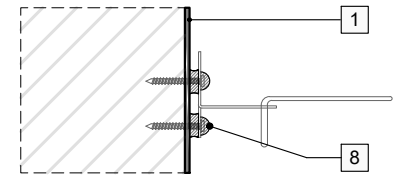


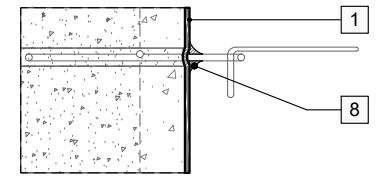
## MASONRY ANCHOR DETAILING:



1. GASKETED STANDOFF ANCHOR



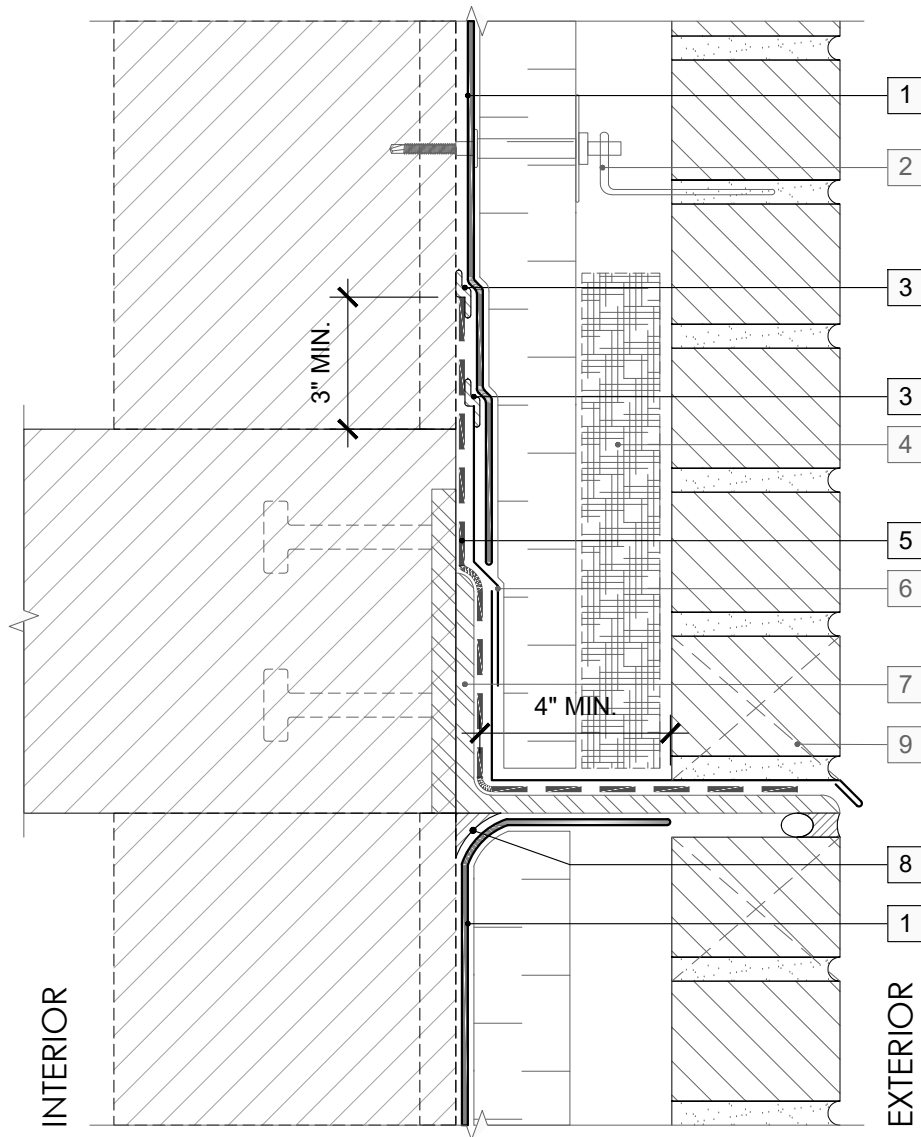
2. SURFACE MOUNTED ANCHOR



3. LADDER STYLE ANCHOR

## LEGEND:

1. **PERM-A-BARRIER VPL 50**
2. MASONRY ANCHOR DETAILING
3. **S100, 1-INCH TROWELED BEAD**
4. MORTAR COLLECTION MESH
5. **PERM-A-BARRIER WALL FLASHING, PRIME SUBSTRATE WHERE REQUIRED**
6. SHEET METAL FLASHING PER ARCH
7. CONTINUOUS SHELF ANGLE SUPPORT PER STRUCTURAL
8. **S100 SEALANT**
9. MASONRY WEEP/VENT
10. GASKETED WASHER



## NOTES:

1. Detail not suitable for all climates. Avoiding excessive moisture accumulation in exterior walls is dependent on many factors including proper placement of insulation and air and vapor control layers in the wall. For assistance with exterior wall design, consult with a building science professional.
2. Install all GCP products in accordance with GCP Product Data Sheets and GCP recommendations.



## CONTINUOUS MASONRY SHELF ANGLE SUPPORT (SECTION)

GCP APPLIED TECHNOLOGIES  
PERM-A-BARRIER VPL 50

DRAWING: VPL50-001

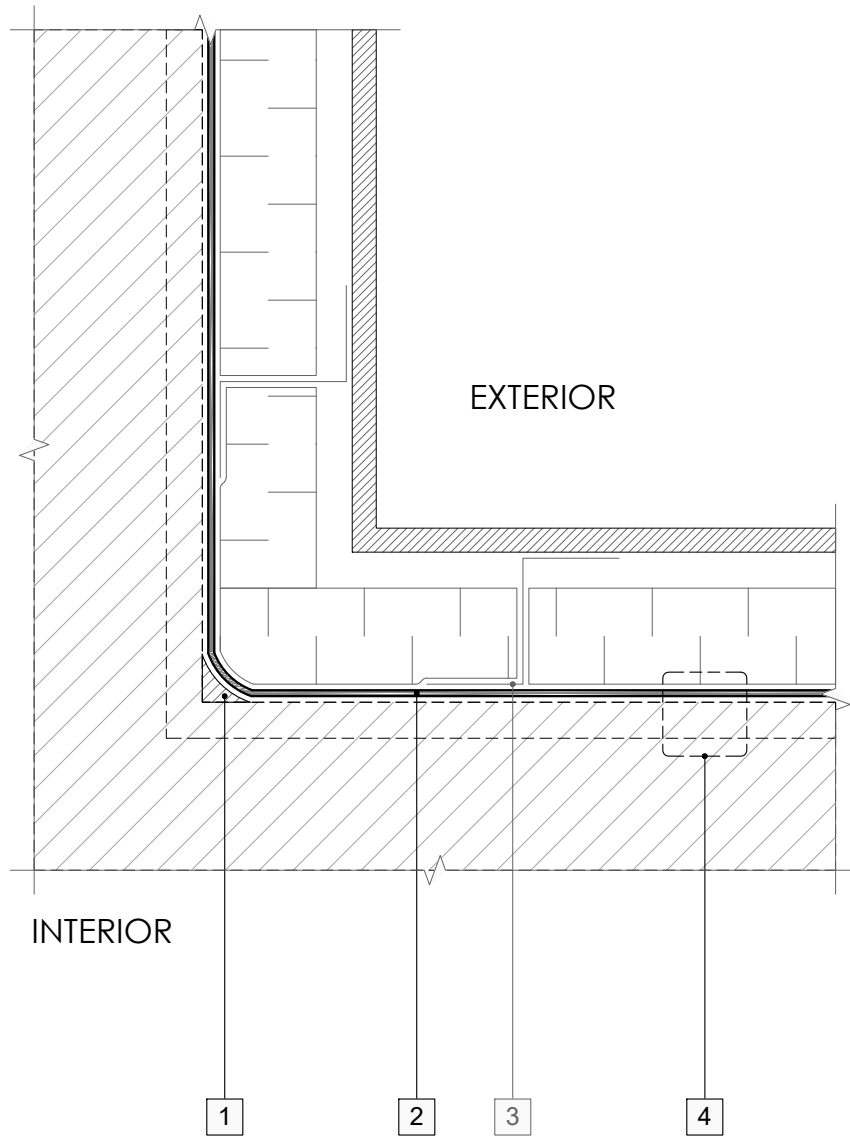
SCALE: 3" = 1'

EFFECTIVE DATE: 2017.12.31

SUPERCEDES: NEW

**LEGEND:**

- 1. **S100, 1-INCH TROWELED BEAD**
- 2. **PERM-A-BARRIER VPL 50**
- 3. CLADDING ATTACHMENT, DETAIL PER GCPAT REQUIREMENTS
- 4. JOINT TREATMENT PER DRAWING ISO 001-B



**NOTES:**

- 1. Detail not suitable for all climates. Avoiding excessive moisture accumulation in exterior walls is dependent on many factors including proper placement of insulation and air and vapor control layers in the wall. For assistance with exterior wall design, consult with a building science professional.
- 2. Install all GCP products in accordance with GCP Product Data Sheets and GCP Recommendations.



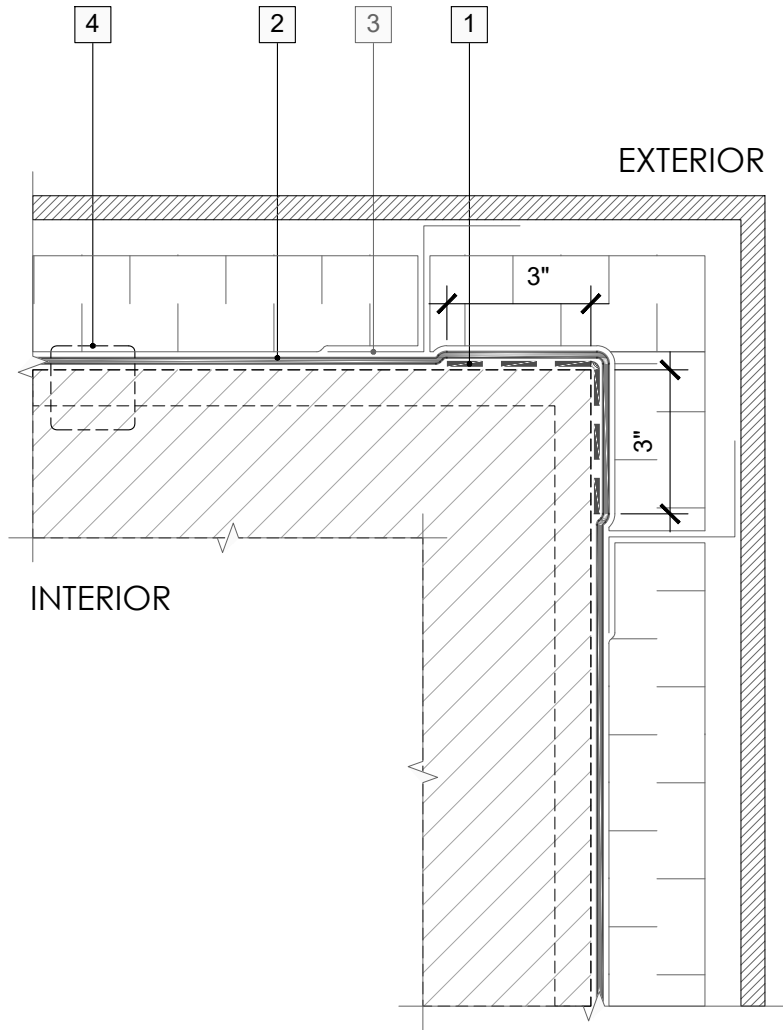
INSIDE CORNER DETAIL (PLAN)

GCP APPLIED TECHNOLOGIES  
 PERM-A-BARRIER VPL 50

|                            |
|----------------------------|
| DRAWING: VPL50-002         |
| SCALE: 3" = 1'             |
| EFFECTIVE DATE: 2017.12.31 |
| SUPERCEDES: NEW            |

**LEGEND:**

- 1. **PERM-A-BARRIER DETAIL MEMBRANE, NPS DETAIL MEMBRANE, ALUMINUM FLASHING, OR WALL FLASHING. PRIME SUBSTRATE WHERE REQUIRED**
- 2. **PERM-A-BARRIER VPL 50**
- 3. CLADDING ATTACHMENT, DETAIL PER GCPAT REQUIREMENTS
- 4. JOINT TREATMENT PER DRAWING ISO 001-B



**NOTES:**

- 1. Detail not suitable for all climates. Avoiding excessive moisture accumulation in exterior walls is dependent on many factors including proper placement of insulation and air and vapor control layers in the wall. For assistance with exterior wall design, consult with a building science professional.
- 2. Install all GCP products in accordance with GCP Product Data Sheets and GCP Recommendations.
- 3. For CMU and cast in place concrete construction, sheet flashing at outside corner may be considered optional provided substrate allows for a continuous 20 dry mil VPL50 application.



**OUTSIDE CORNER DETAIL (PLAN)**

**GCP APPLIED TECHNOLOGIES  
PERM-A-BARRIER VPL 50**

DRAWING: VPL50-003

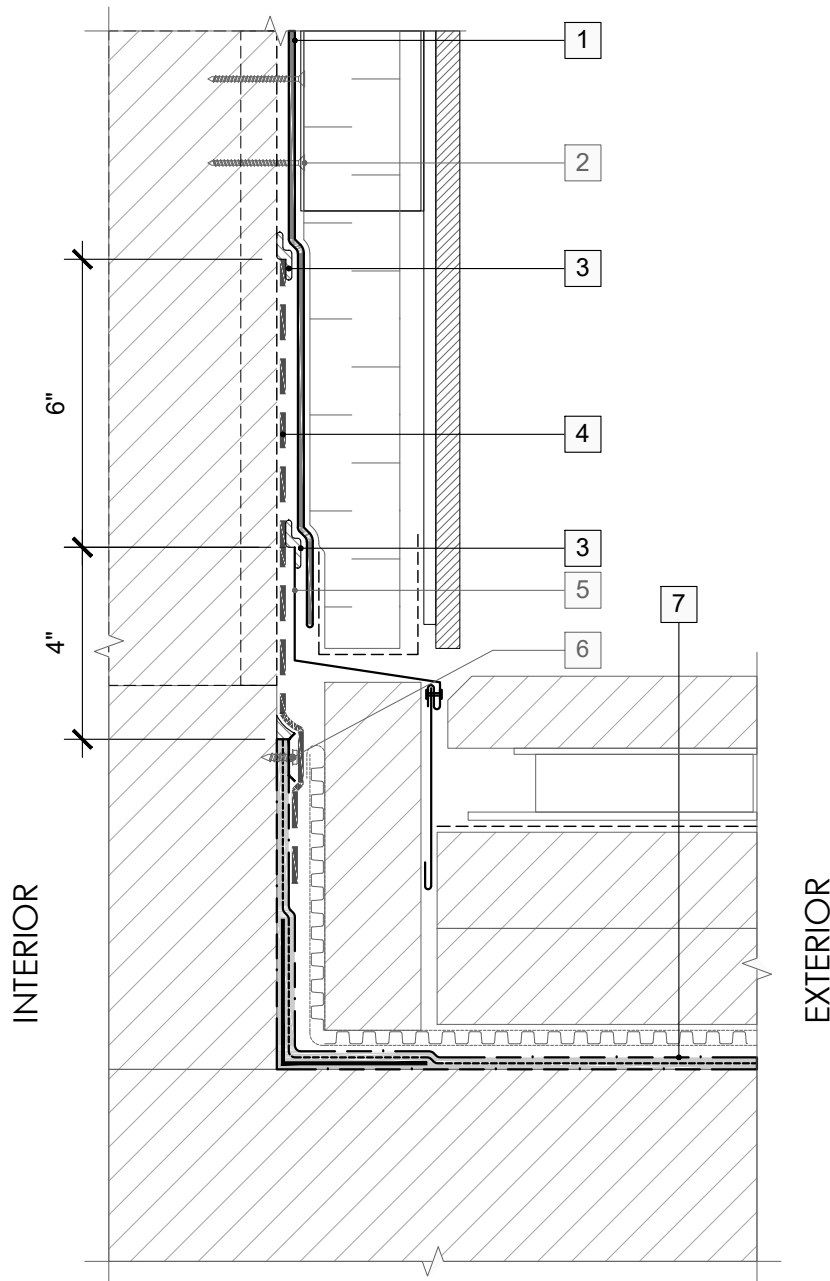
SCALE: 3" = 1'

EFFECTIVE DATE: 2017.12.31

SUPERCEDES: NEW

**LEGEND:**

- 1. **PERM-A-BARRIER VPL 50**
- 2. CLADDING ATTACHMENT, CONFIRM DETAILING REQUIREMENTS WITH THE GCPAT REPRESENTATIVE
- 3. **S100, 1-INCH TROWELED BEAD**
- 4. **PERM-A-BARRIER WALL FLASHING, PRIME SUBSTRATE WHERE REQUIRED**
- 5. SHEET METAL FLASHING PER ARCH
- 6. TERMINATION PER HORIZONTAL WATERPROOFING SYSTEM MANUFACTURER
- 7. **HORIZONTAL WATERPROOFING SYSTEM - SEE GCPAT.COM**



**NOTES:**

- 1. Detail not suitable for all climates. Avoiding excessive moisture accumulation in exterior walls is dependent on many factors including proper placement of insulation and air and vapor control layers in the wall. For assistance with exterior wall design, consult with a building science professional.
- 2. Install all GCP products in accordance with GCP Product Data Sheets and GCP Recommendations.



**BASE OF WALL DETAIL (SECTION)**

**GCP APPLIED TECHNOLOGIES  
PERM-A-BARRIER VPL 50**

DRAWING: VPL50-004

SCALE: 3" = 1'

EFFECTIVE DATE: 2017.12.31

SUPERCEDES: NEW

INTERIOR

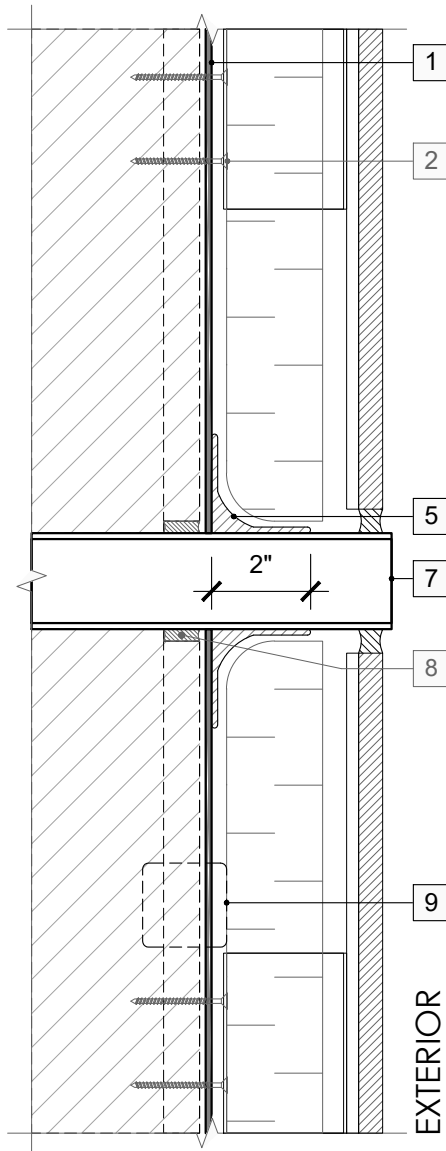
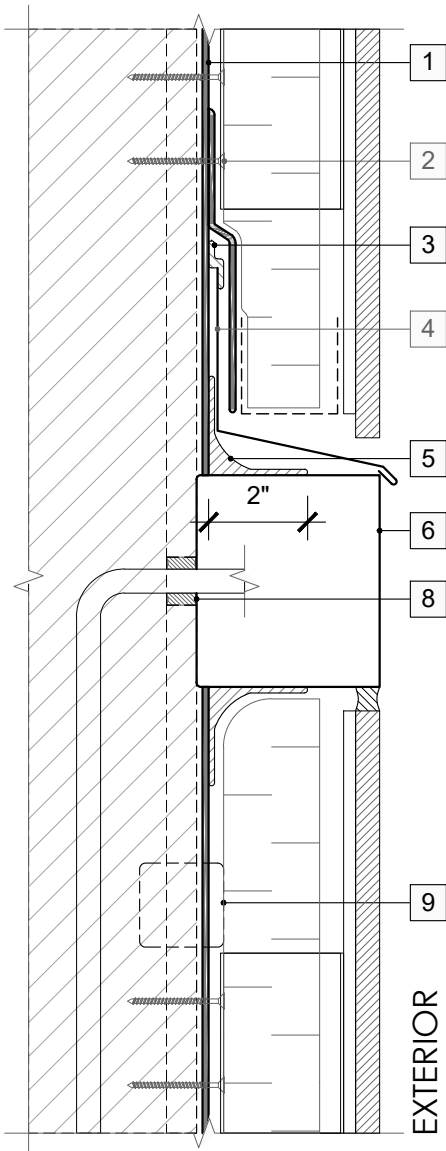
EXTERIOR

INTERIOR

EXTERIOR

LEGEND:

- 1. **PERM-A-BARRIER VPL 50**
- 2. CLADDING ATTACHMENT, CONFIRM DETAILING REQUIREMENTS WITH THE GCPAT REPRESENTATIVE
- 3. **S100, 1-INCH TROWELED BEAD**
- 4. SHEET METAL FLASHING PER ARCH
- 5. **S100, FLASHING AND CANT SEAL**
- 6. AIR AND WATER TIGHT BOX PENETRATION
- 7. AIR AND WATER TIGHT PIPE PENETRATION
- 8. POLYURETHANE SEALANT OR NON-SHRINK GROUT PER BACKUP WALL TYPE
- 9. JOINT TREATMENT PER DETAIL ISO 001-B



NOTES:

- 1. Detail not suitable for all climates. Avoiding excessive moisture accumulation in exterior walls is dependent on many factors including proper placement of insulation and air and vapor control layers in the wall. For assistance with exterior wall design, consult with a building science professional.
- 2. Install all GCP products in accordance with GCP Product Data Sheets and GCP Recommendations.



VPL 50 PENETRATION DETAILING

GCP APPLIED TECHNOLOGIES  
PERM-A-BARRIER VPL 50

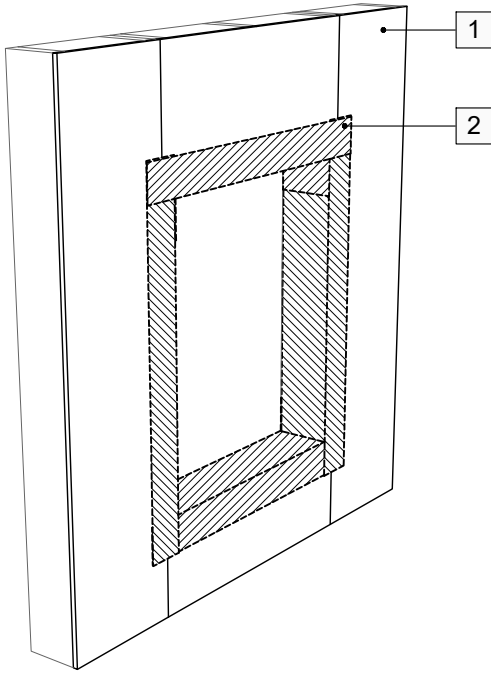
DRAWING: VPL50-005

SCALE: 3" = 1'

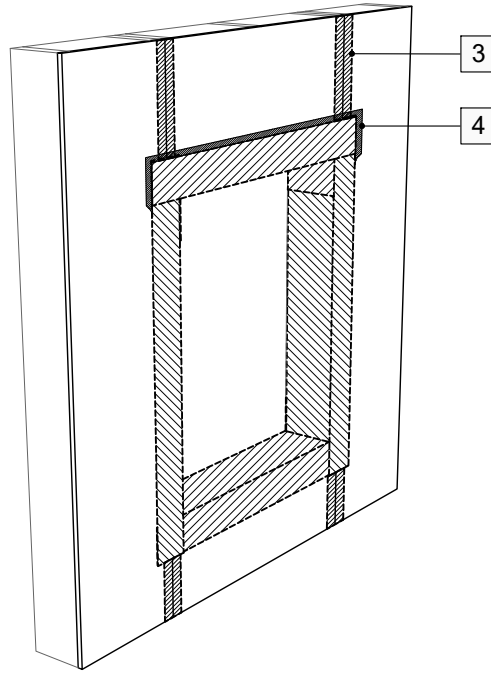
EFFECTIVE DATE: 2017.12.31

SUPERCEDES: NEW

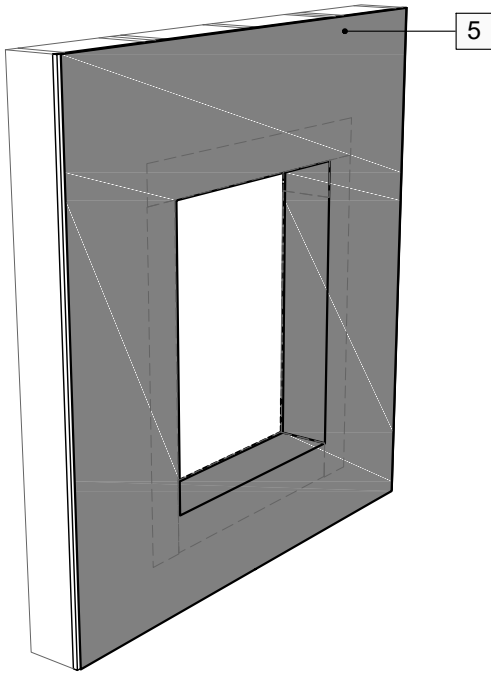
STEP 1:



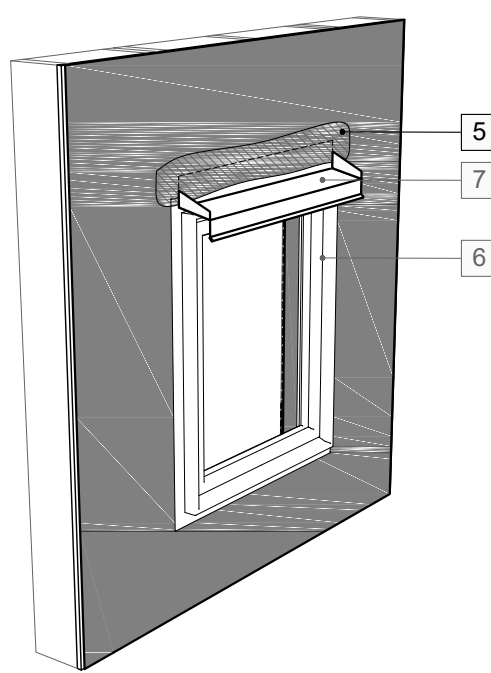
STEP 2:



STEP 3:



STEP 4:



LEGEND:

1. SHEATHING SUBSTRATE
2. PERM-A-BARRIER DETAIL MEMBRANE, NPS DETAIL MEMBRANE, ALUMINUM FLASHING, OR WALL FLASHING. PRIME SUBSTRATE WHERE REQUIRED
3. JOINT TREATMENT PER DETAIL VPL50-007
4. S100, 1-INCH TROWELED BEAD
5. VPL 50 MEMBRANE
6. WINDOW PER ARCH
7. SHEET METAL HEAD FLASHING PER ARCH.

NOTES:

1. Detail not suitable for all climates. Avoiding excessive moisture accumulation in exterior walls is dependent on many factors including proper placement of insulation and air and vapor control layers in the wall. For assistance with exterior wall design, consult with a building science professional.
2. Install all GCP products in accordance with GCP Product Data Sheets and GCP Recommendations.
3. Refer to detail VPL50-006-B for sheet flashing sequence.



WINDOW FLASHING SEQUENCE 01-A

GCP APPLIED TECHNOLOGIES  
 PERM-A-BARRIER VPL 50

DRAWING: VPL50-006-A

SCALE: NOT TO SCALE

EFFECTIVE DATE: 2017.12.31

SUPERCEDES: NEW

# WINDOW PRESTRIP VARIATIONS:

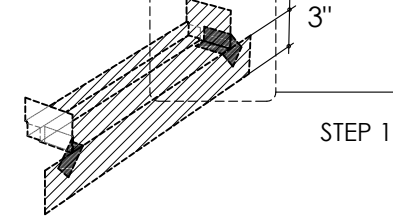
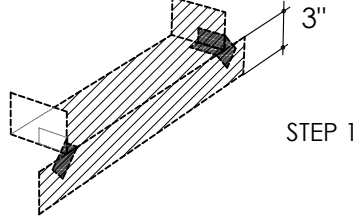
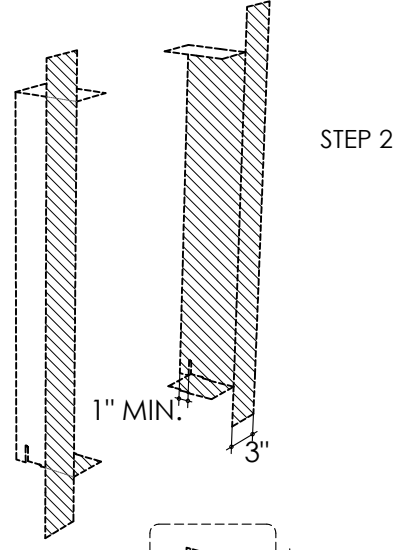
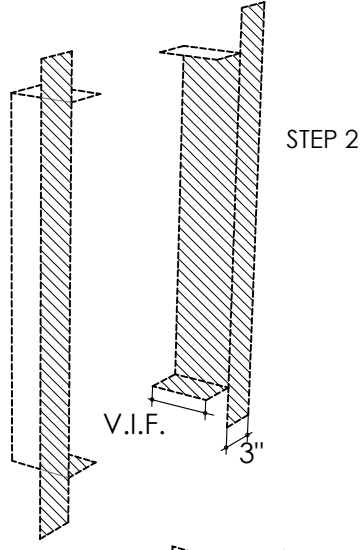
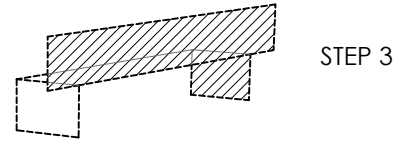
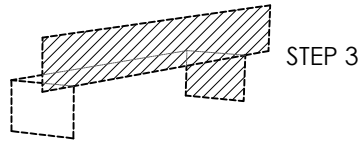
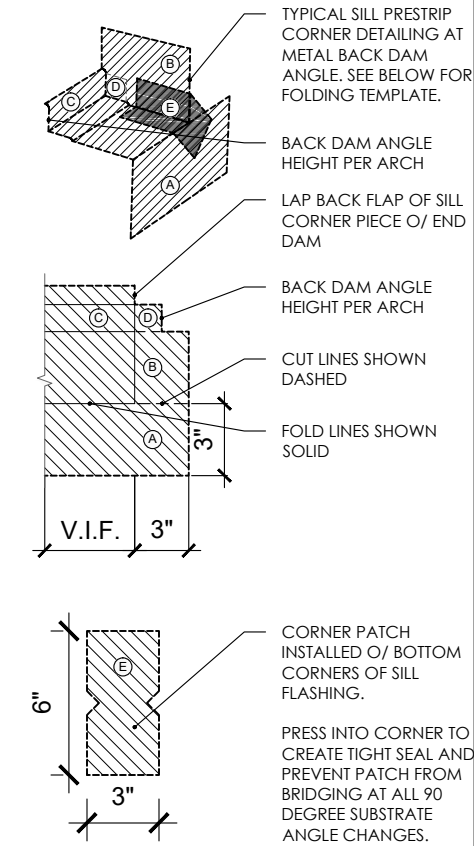
A. WITHOUT BACK DAM ANGLE:

B. WITH BACK DAM ANGLE:

# NOTES:

WINDOW PRESTRIP: PERM-A-BARRIER  
 DETAIL MEMBRANE, NPS DETAIL  
 MEMBRANE, ALUMINUM FLASHING,  
 OR WALL FLASHING. PRIME  
 SUBSTRATE WHERE REQUIRED

# OPTION B SILL PRESTRIP CORNER DETAILING:



# NOTES:

1. Detail not suitable for all climates. Avoiding excessive moisture accumulation in exterior walls is dependent on many factors including proper placement of insulation and air and vapor control layers in the wall. For assistance with exterior wall design, consult with a building science professional.
2. Install all GCP products in accordance with GCP Product Data Sheets and GCP Recommendations.
3. Terminate all edges, cuts, and laps that are not water-shedding in orientation including on the horizontal of the sill with Perm-a-Barrier S100 Sealant.



## WINDOW FLASHING SEQUENCE 01-B

GCP APPLIED TECHNOLOGIES  
 PERM-A-BARRIER VPL 50

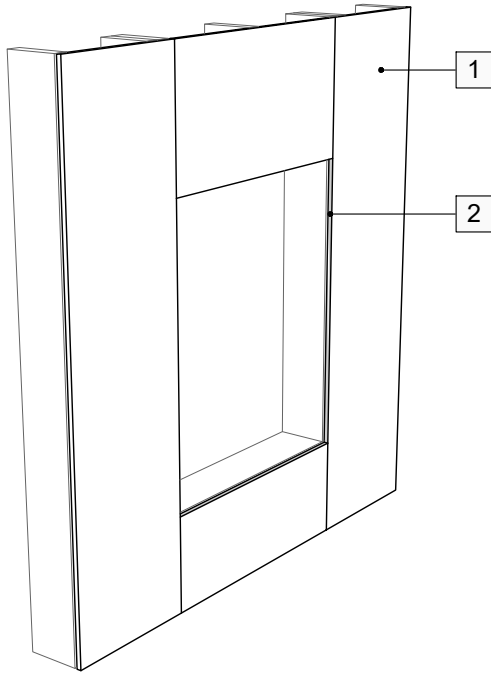
DRAWING: VPL50-006-B

SCALE: NOT TO SCALE

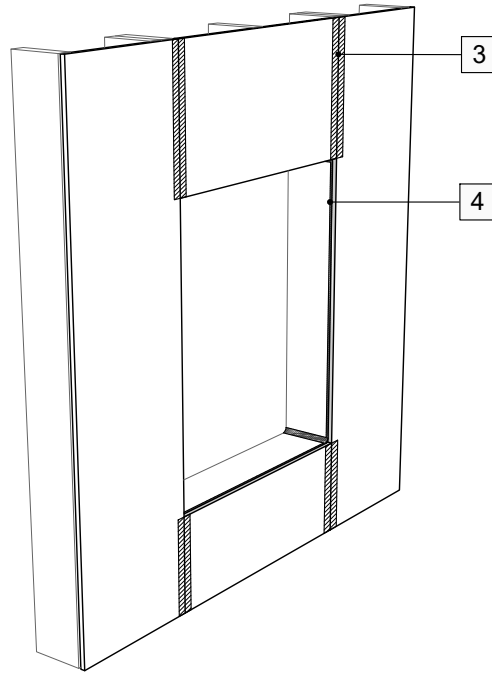
EFFECTIVE DATE: 2017.12.31

SUPERCEDES: NEW

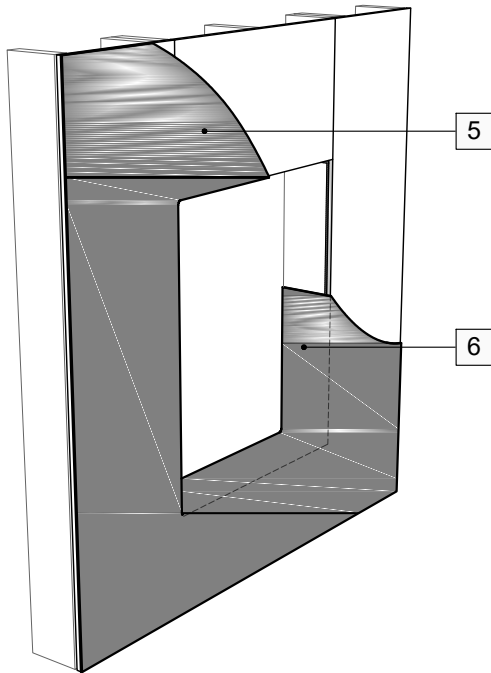
**STEP 1:**



**STEP 2:**



**STEP 3:**



**LEGEND:**

1. SHEATHING SUBSTRATE
2. PERM-A-BARRIER PRIMER AT ALL EXPOSED GYPSUM SHEATHING EDGES
3. JOINT TREATMENT PER DETAIL VPL50-007
4. S100 AT ALL TRANSITIONS BETWEEN FRAMING AND SHEATHING. S100 MUST BE TACK FREE PRIOR TO STEP 3
5. 20 MIL WET THICKNESS VPL 50 IN FIELD
6. MINIMUM 25 MIL WET THICKNESS VPL 50 AT SILL, JAMBS, AND HEAD OF OPENING

**NOTES:**

1. Detail not suitable for all climates. Avoiding excessive moisture accumulation in exterior walls is dependent on many factors including proper placement of insulation and air and vapor control layers in the wall. For assistance with exterior wall design, consult with a building science professional.
2. Install all GCP products in accordance with GCP Product Data Sheets and GCP Recommendations.
3. Refer to detail VPL50-006-B for sheet flashing sequence.



**WINDOW FLASHING SEQUENCE 01-C**

**GCP APPLIED TECHNOLOGIES  
PERM-A-BARRIER VPL 50**

DRAWING: VPL50-006-C

SCALE: NOT TO SCALE

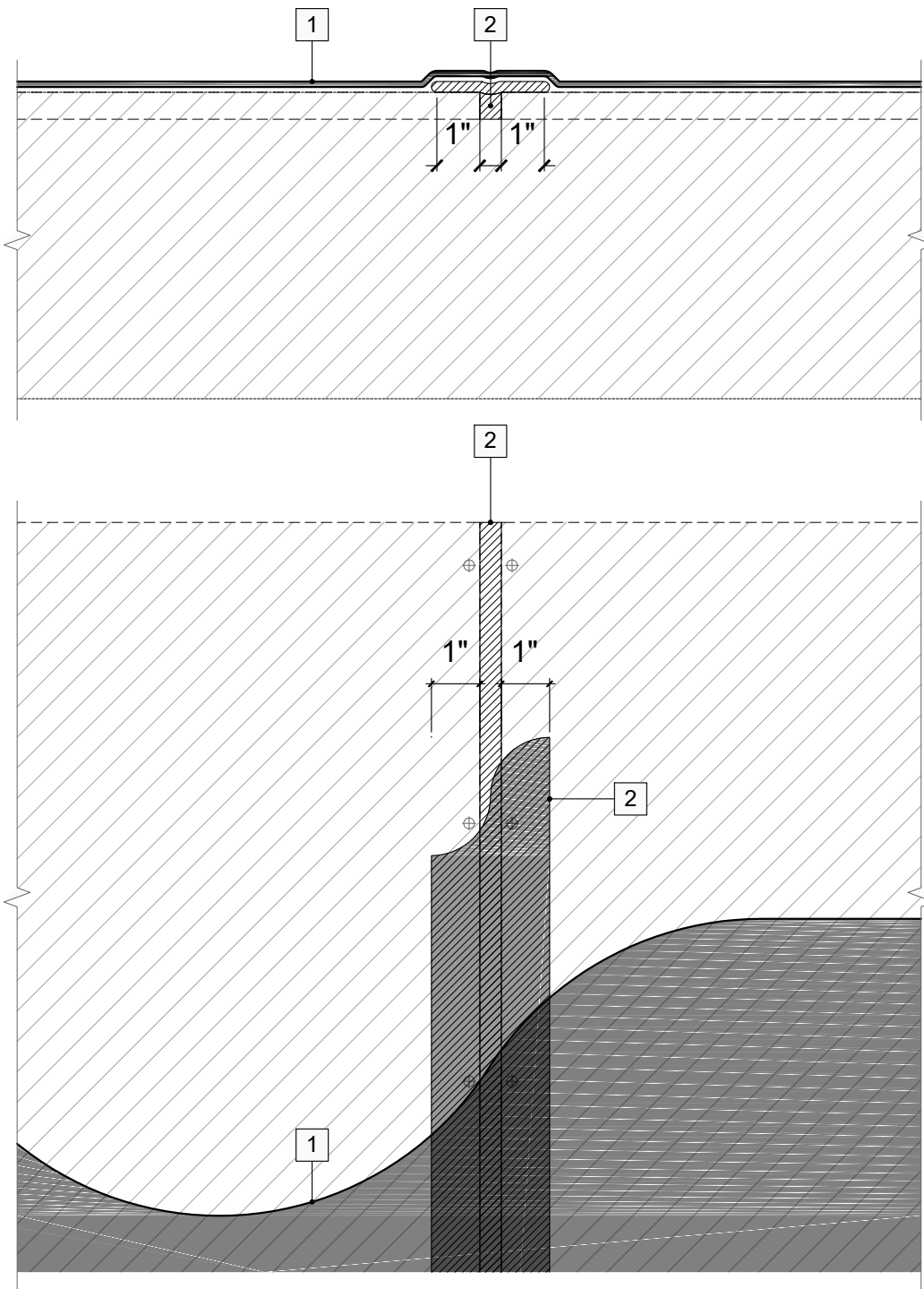
EFFECTIVE DATE: 2017.12.31

SUPERCEDES: NEW



**LEGEND:**

- 1. VPL 50 MEMBRANE
- 2. PERM-A-BARRIER S100 SEALANT



**NOTES:**

- 1. Detail not suitable for all climates. Avoiding excessive moisture accumulation in exterior walls is dependent on many factors including proper placement of insulation and air and vapor control layers in the wall. For assistance with exterior wall design, consult with a building science professional.
- 2. Install all GCP products in accordance with GCP Product Data Sheets and GCP Recommendations.



**TYPICAL VPL 50 JOINT TREATMENT**

**GCP APPLIED TECHNOLOGIES  
PERM-A-BARRIER VPL 50**

DRAWING: VPL50-007

SCALE: NOT TO SCALE

EFFECTIVE DATE: 2017.12.31

SUPERCEDES: NEW