

LIST OF DRAWINGS

LEGEND

WINDOW DETAILS AT MASONRY CLADDING

PLQ-001	WINDOW HEAD DETAIL	MASONRY CLADDING
PLQ-002	WINDOW JAMB DETAIL	MASONRY CLADDING
PLQ-003	WINDOW SILL DETAIL	MASONRY CLADDING
PLQ-003 (3D-1)	WINDOW FLASHING SEQUENCE	SHEET-APPLIED FLASHING
PLQ-003 (3D-2)	SHEET-APPLIED FLASHING PRESTRIP	
PLQ-003 (3D-3)	WINDOW FLASHING SEQUENCE	PLQ-APPLIED FLASHING

BASE OF WALL DETAILS AT MASONRY CLADDING

PLQ-004	BASE-OF-WALL DETAIL	MASONRY CLADDING
PLQ-004 (3D-1)	BASE-OF-WALL FLASHING SEQ. (OPT. 1)	MASONRY CLADDING
PLQ-004 (3D-2)	BASE-OF-WALL FLASHING SEQ. (OPT. 2)	MASONRY CLADDING
PLQ-004 (ALT 1)	BASE-OF-WALL DETAIL (ALTERNATE 1)	MASONRY CLADDING
PLQ-004 (ALT 2)	BASE-OF-WALL DETAIL (ALTERNATE 2)	MASONRY CLADDING

LEDGER DETAILS AT MASONRY CLADDING

PLQ-005	FLOOR LINE DETAIL	MASONRY CLADDING
PLQ-005 (3D-1)	FLOOR LINE FLASHING SEQ. (OPT. 1)	MASONRY CLADDING
PLQ-005 (3D-2)	FLOOR LINE FLASHING SEQ. (OPT. 2)	MASONRY CLADDING
PLQ-006A	MASONRY ANCHOR DETAIL	CMU SUBSTRATE
PLQ-006B	MASONRY ANCHOR DETAIL	FRAMED SUBSTRATE

PARAPET DETAILS AT MASONRY CLADDING

PLQ-007	PARAPET DETAIL	MASONRY CLADDING
PLQ-007 (ALT)	PARAPET DETAIL	MASONRY CLADDING

EXPANSION AND CONTROL JOINT DETAILS

PLQ-008	EXPANSION JOINT DETAIL	
PLQ-009A	CONTROL JOINT DETAIL	
PLQ-009B	SHEATHING JOINT TREATMENT	

WINDOW DETAILS AT NON-MASONRY CLADDING

PLQ-010	WINDOW HEAD DETAIL	NON-MASONRY CLADDING
PLQ-011	WINDOW JAMB DETAIL	NON-MASONRY CLADDING
PLQ-012	WINDOW SILL DETAIL	NON-MASONRY CLADDING

NON-MASONRY CLADDING DETAILS

PLQ-013	FLOOR LINE DETAIL	NON-MASONRY CLADDING
PLQ-014	CONCRETE STEM WALL DETAIL	NON-MASONRY CLADDING
PLQ-015	BASE-OF-WALL DETAIL	NON-MASONRY CLADDING
PLQ-016	INSIDE CORNER DETAIL	NON-MASONRY CLADDING
PLQ-017	OUTSIDE CORNER DETAIL	NON-MASONRY CLADDING
PLQ-018	KNIFEPLATE PENETRATION DETAIL	NON-MASONRY CLADDING
PLQ-019	PENETRATION DETAILS	NON-MASONRY CLADDING

CURTAINWALL DETAILS AT NON-MASONRY CLADDING

PLQ-020	CURTAINWALL HEAD DETAIL	NON-MASONRY CLADDING
PLQ-021	CURTAINWALL JAMB DETAIL	NON-MASONRY CLADDING
PLQ-022	CURTAINWALL SILL DETAIL	NON-MASONRY CLADDING

DEFLECTION JOINT

PLQ-023	DEFLECTION JOINT	NON-MASONRY CLADDING
---------	------------------	----------------------

GENERAL NOTES

1. Detail not suitable for all climates. Avoiding excessive moisture accumulation in exterior walls is dependent on many factors including proper placement of insulation and water, air, and vapor control layers in the wall. Confirm membranes are suitable for project specific service temperatures. For assistance with exterior wall design, consult with a building science professional.
2. Install all GCP products in accordance with GCP Product Data Sheets and GCP recommendations.
3. GCP products are indicated in the detail legend in **BOLDFACE** font. Detail components by others are indicated in **GRAY FONT**. Install components per manufacturer and project specific requirements.

*Refer to air barrier system product data sheet for acceptable self-adhered flashing products.



LIST OF DRAWINGS

PERM-A-BARRIER® LIQUID
AIR BARRIER SYSTEM

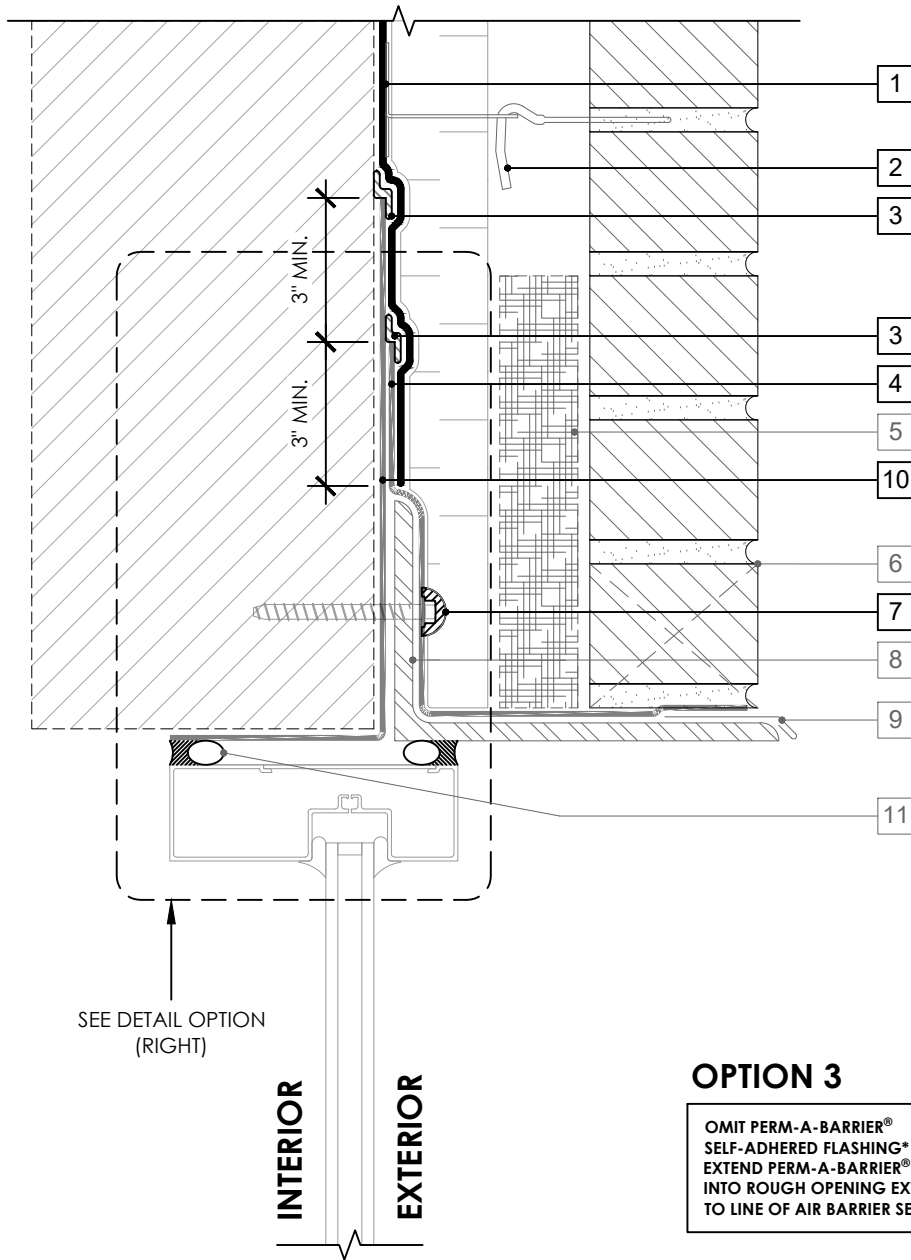
DRAWING: PLQ-000

SCALE: 3" = 1'

EFFECTIVE DATE: 2020.05.21

SUPERCEDES: NEW

OPTION 1



SEE DETAIL OPTION
(RIGHT)

INTERIOR
EXTERIOR

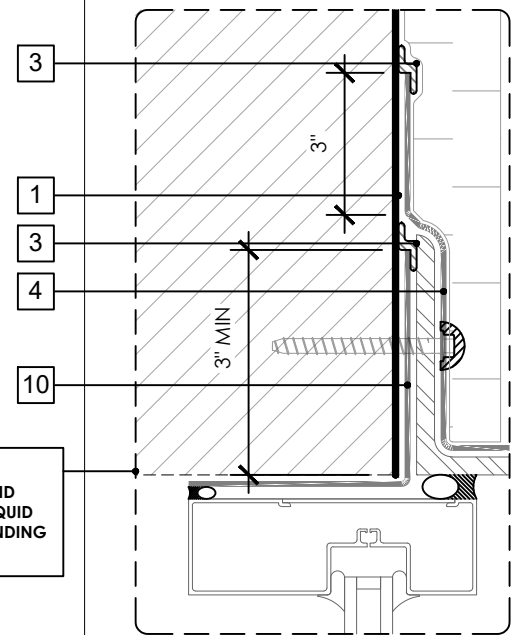
OPTION 3

OMIT PERM-A-BARRIER®
SELF-ADHERED FLASHING* AND
EXTEND PERM-A-BARRIER® LIQUID
INTO ROUGH OPENING EXTENDING
TO LINE OF AIR BARRIER SEAL

LEGEND

1. PERM-A-BARRIER® LIQUID
2. MASONRY ANCHOR DETAILING (SEE DRAWING PLQ-006)
3. PERM-A-BARRIER® S100 SEALANT - 1-INCH WIDE TROWELED BEAD
4. PERM-A-BARRIER® WALL FLASHING (STAR CUT AT BOLT) - PRIME SUBSTRATE WHERE REQUIRED
5. MORTAR COLLECTION MESH
6. MASONRY WEEP/VENT
7. PERM-A-BARRIER® S100 SEALANT AROUND FASTENER
8. CONTINUOUS SHELF ANGLE SUPPORT PER STRUCTURAL
9. SHEET METAL FLASHING PER ARCH
10. PERM-A-BARRIER® SELF-ADHERED FLASHING* - PRIME SUBSTRATE WHERE REQUIRED
11. INTERIOR AIR BARRIER SEALANT OVER BACKER ROD AT WINDOW PERIMETER

OPTION 2



GENERAL NOTES

1. Detail not suitable for all climates. Avoiding excessive moisture accumulation in exterior walls is dependent on many factors including proper placement of insulation and water, air, and vapor control layers in the wall. Confirm membranes are suitable for project specific service temperatures. For assistance with exterior wall design, consult with a building science professional.
2. Install all GCP products in accordance with GCP Product Data Sheets and GCP recommendations.
3. GCP products are indicated in the detail legend in **BOLDFACE** font. Detail components by others are indicated in GRAY FONT. Install components per manufacturer and project specific requirements.

*Refer to air barrier system product data sheet for acceptable self-adhered flashing products.



WINDOW HEAD DETAIL - MASONRY CLADDING

PERM-A-BARRIER® LIQUID
AIR BARRIER SYSTEM

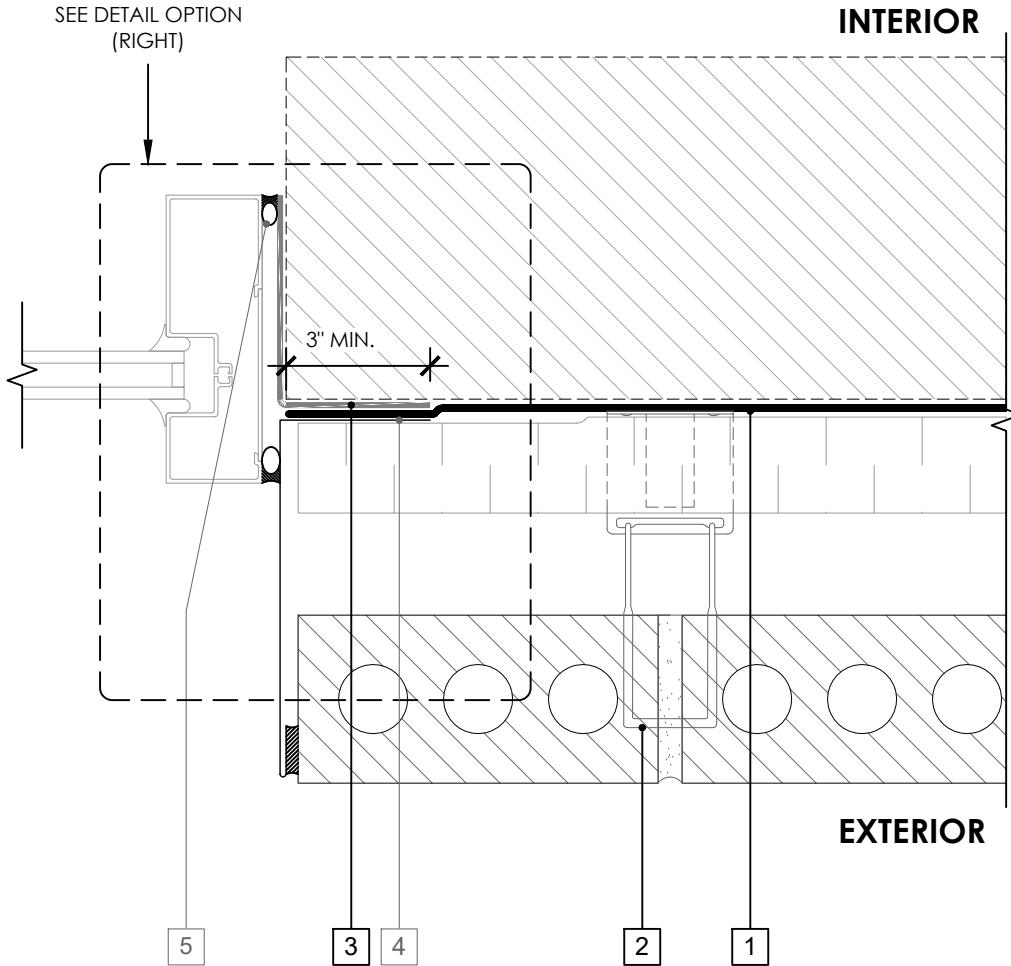
DRAWING: PLQ-001

SCALE: 3" = 1'

EFFECTIVE DATE: 2020.05.21

SUPERCEDES: NEW

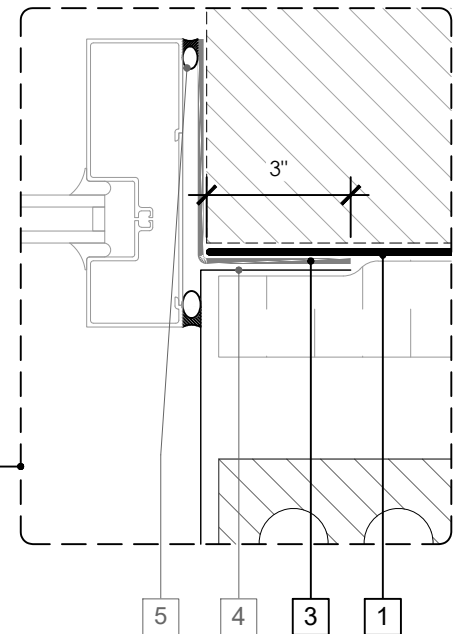
OPTION 1



LEGEND

1. PERM-A-BARRIER® LIQUID
2. MASONRY ANCHOR DETAILING (SEE DRAWING PLQ-006)
3. PERM-A-BARRIER® SELF-ADHERED FLASHING* - PRIME SUBSTRATE WHERE REQUIRED
4. SHEET METAL FLASHING PER ARCH
5. INTERIOR AIR BARRIER SEALANT OVER BACKER ROD AT WINDOW PERIMETER

OPTION 2



OPTION 3

OMIT PERM-A-BARRIER® SELF-ADHERED FLASHING* AND EXTEND PERM-A-BARRIER® LIQUID INTO ROUGH OPENING EXTENDING TO LINE OF AIR BARRIER SEAL

GENERAL NOTES

1. Detail not suitable for all climates. Avoiding excessive moisture accumulation in exterior walls is dependent on many factors including proper placement of insulation and water, air, and vapor control layers in the wall. Confirm membranes are suitable for project specific service temperatures. For assistance with exterior wall design, consult with a building science professional.
2. Install all GCP products in accordance with GCP Product Data Sheets and GCP recommendations.
3. GCP products are indicated in the detail legend in **BOLDFACE** font. Detail components by others are indicated in GRAY FONT. Install components per manufacturer and project specific requirements.

*Refer to air barrier system product data sheet for acceptable self-adhered flashing products.



WINDOW JAMB DETAIL - MASONRY CLADDING

PERM-A-BARRIER® LIQUID
AIR BARRIER SYSTEM

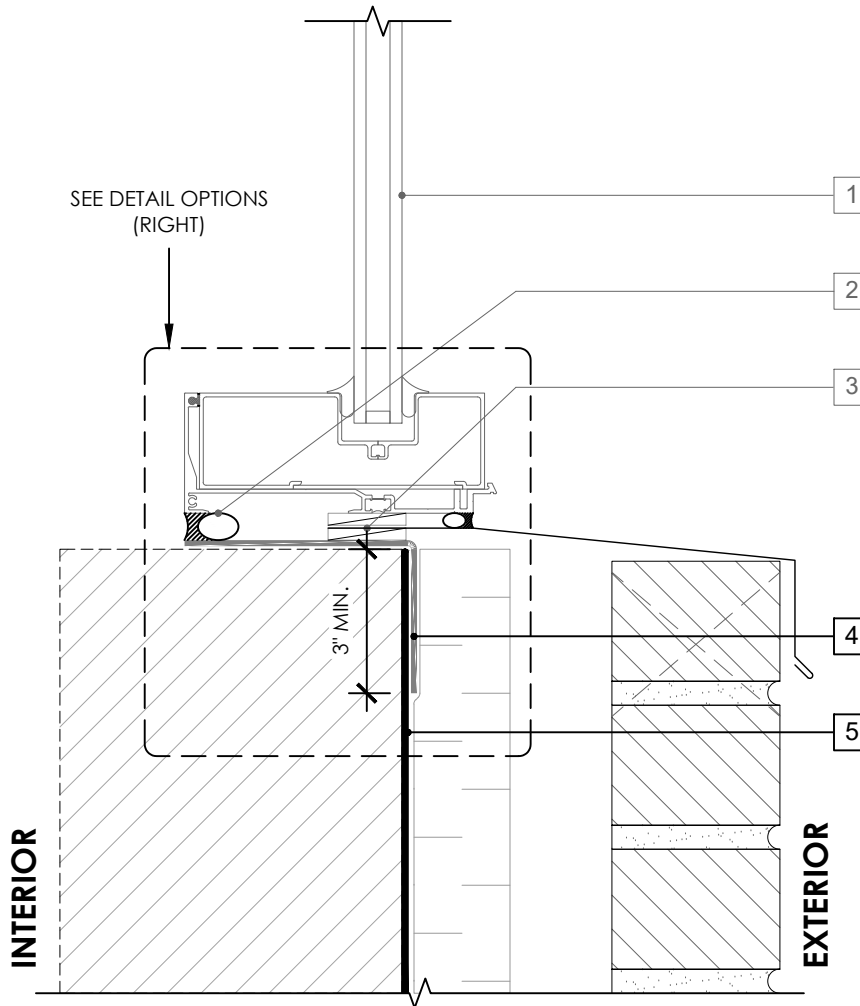
DRAWING: PLQ-002

SCALE: 3" = 1'

EFFECTIVE DATE: 2020.05.21

SUPERCEDES: NEW

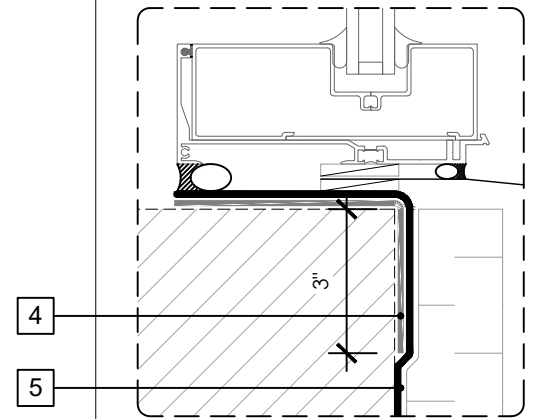
OPTION 1



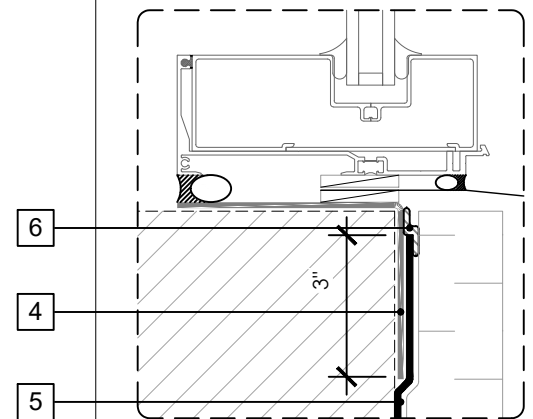
LEGEND

1. NON-FLANGED WINDOW SYSTEM
2. INTERIOR AIR BARRIER SEALANT OVER BACKER ROD AT WINDOW PERIMETER
3. SHEET METAL FLASHING - SANDWICHED BETWEEN INTERMITTENT SHIMS
4. **PERM-A-BARRIER® SELF-ADHERED FLASHING*** - PRIME SUBSTRATE WHERE REQUIRED
5. **PERM-A-BARRIER® LIQUID**
6. **PERM-A-BARRIER® S100 SEALANT** - 1-INCH WIDE TROWELED BEAD

OPTION 2



OPTION 3



GENERAL NOTES

1. Detail not suitable for all climates. Avoiding excessive moisture accumulation in exterior walls is dependent on many factors including proper placement of insulation and water, air, and vapor control layers in the wall. Confirm membranes are suitable for project specific service temperatures. For assistance with exterior wall design, consult with a building science professional.
2. Install all GCP products in accordance with GCP Product Data Sheets and GCP recommendations.
3. GCP products are indicated in the detail legend in **BOLDFACE** font. Detail components by others are indicated in GRAY FONT. Install components per manufacturer and project specific requirements.

*Refer to air barrier system product data sheet for acceptable self-adhered flashing products.



WINDOW SILL DETAIL - MASONRY CLADDING

PERM-A-BARRIER® LIQUID
AIR BARRIER SYSTEM

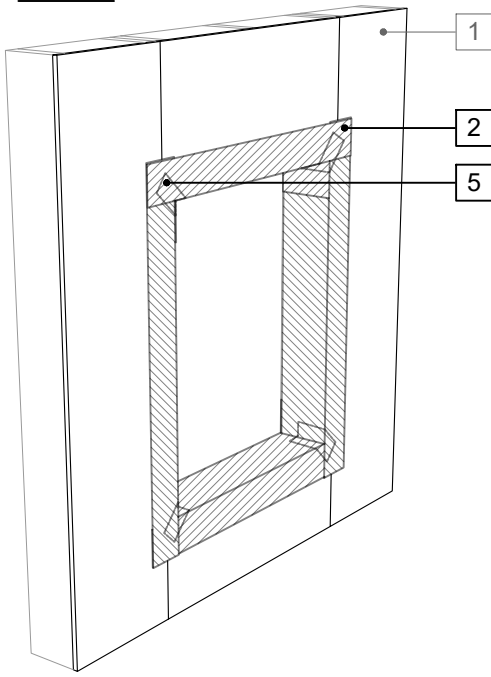
DRAWING: PLQ-003

SCALE: 3" = 1'

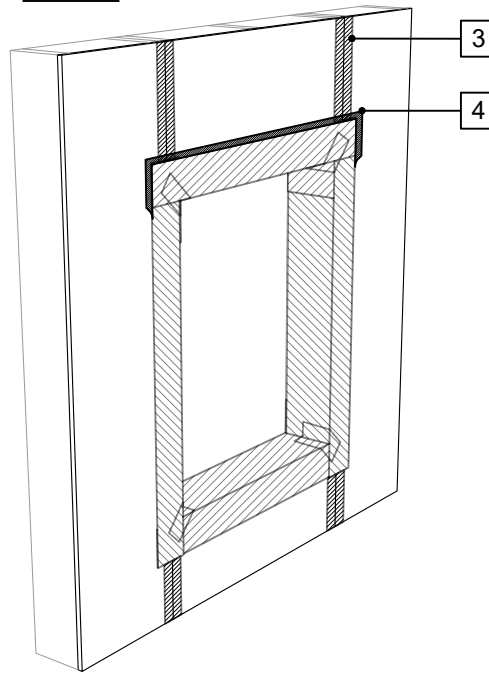
EFFECTIVE DATE: 2020.05.21

SUPERCEDES: NEW

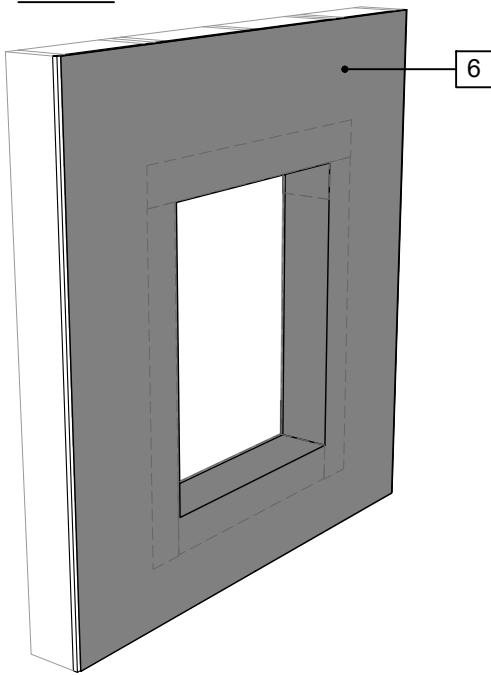
STEP 1



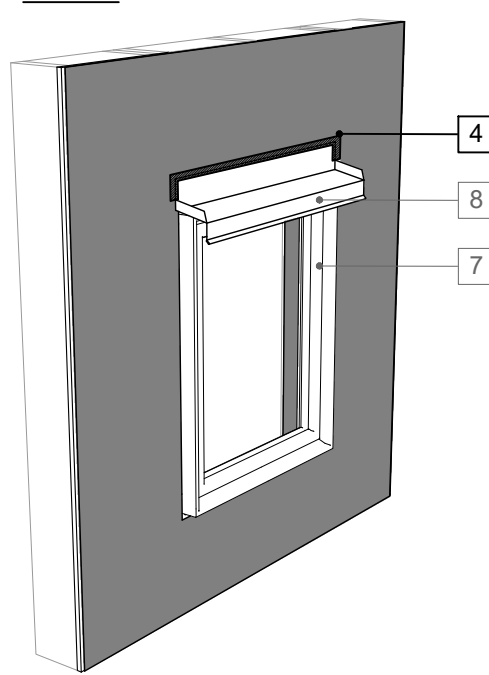
STEP 2



STEP 3



STEP 4



LEGEND

1. SHEATHING SUBSTRATE
2. PERM-A-BARRIER® DETAIL MEMBRANE, NPS DETAIL MEMBRANE, ALUMINUM FLASHING, OR WALL FLASHING - PRIME SUBSTRATE WHERE REQUIRED (SEE DRAWING PLQ-003 (3D-2) FOR MORE INFORMATION)
3. JOINT TREATMENT PER DETAIL PLQ-009B
4. PERM-A-BARRIER® S100 SEALANT - 1-INCH WIDE TROWELED BEAD
5. CORNER PATCH
6. PERM-A-BARRIER® LIQUID
7. WINDOW PER ARCH
8. SHEET METAL HEAD FLASHING PER ARCH.

NOTE

- CONTINUOUS AIR AND WATER SEAL AT PERIMETER OF FENESTRATION, FENESTRATION ATTACHMENT, AND DRAINAGE OF ROUGH OPENING TO BE PER PROJECT SPECIFIC REQUIREMENTS
- SEAL ALL NON-WATER SHEDDING EDGES WITH ACCEPTABLE SEALANT
- OPTIONAL - WINDOW FLASHING SEQUENCE CAN BE COMPLETED AFTER FIELD APPLICATION OF PERM-A-BARRIER® LIQUID

GENERAL NOTES

1. Detail not suitable for all climates. Avoiding excessive moisture accumulation in exterior walls is dependent on many factors including proper placement of insulation and water, air, and vapor control layers in the wall. Confirm membranes are suitable for project specific service temperatures. For assistance with exterior wall design, consult with a building science professional.
2. Install all GCP products in accordance with GCP Product Data Sheets and GCP recommendations.
3. GCP products are indicated in the detail legend in **BOLDFACE** font. Detail components by others are indicated in **GRAY FONT**. Install components per manufacturer and project specific requirements.

*Refer to air barrier system product data sheet for acceptable self-adhered flashing products.



WINDOW FLASHING SEQUENCE - SHEET-APPLIED FLASHING

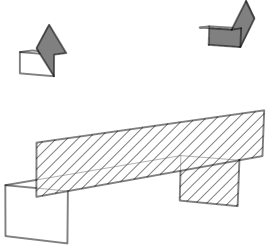
PERM-A-BARRIER® LIQUID
AIR BARRIER SYSTEM

DRAWING:	PLQ-003 (3D-1)
SCALE:	3" = 1'
EFFECTIVE DATE:	2020.05.21
SUPERCEDES:	NEW

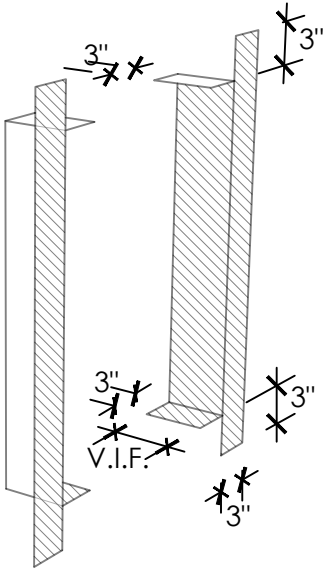
WINDOW PRESTRIP VARIATIONS

A. WITHOUT BACK DAM ANGLE

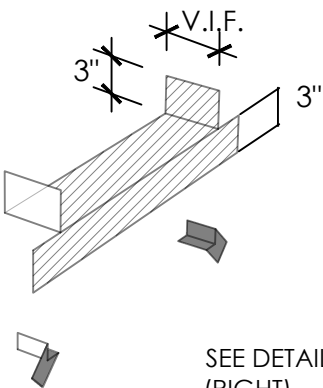
STEP 3



STEP 2



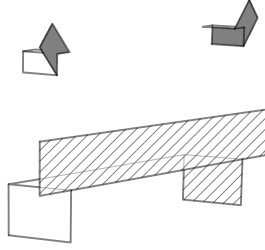
STEP 1



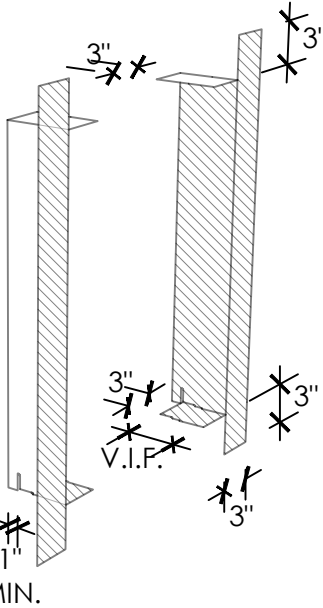
SEE DETAIL A (RIGHT)

B. WITH BACK DAM ANGLE

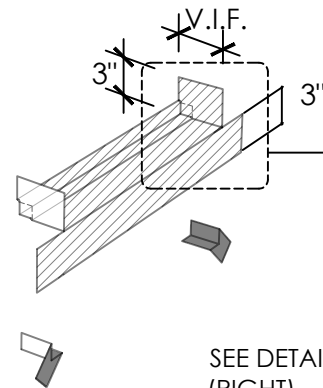
STEP 3



STEP 2



STEP 1

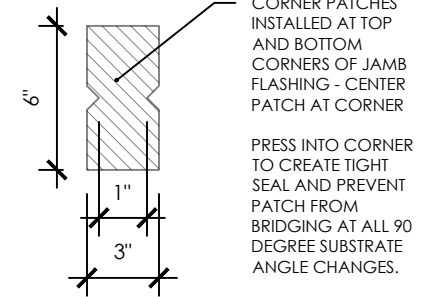


SEE DETAIL B (RIGHT)

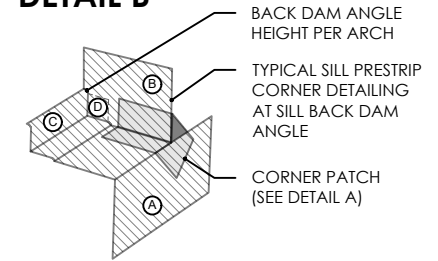
LEGEND

- WINDOW PRESTRIP PERM-A-BARRIER® DETAIL MEMBRANE, NPS DETAIL MEMBRANE, ALUMINUM FLASHING, OR WALL FLASHING
- PRIME SUBSTRATE WHERE REQUIRED

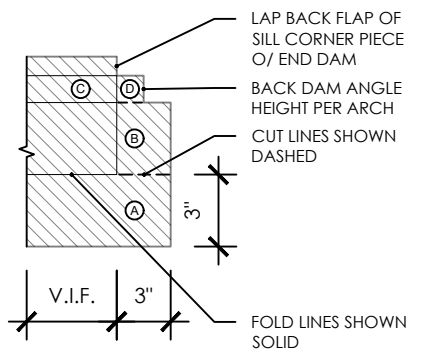
DETAIL A



DETAIL B



FOLDING TEMPLATE



GENERAL NOTES

1. Detail not suitable for all climates. Avoiding excessive moisture accumulation in exterior walls is dependent on many factors including proper placement of insulation and water, air, and vapor control layers in the wall. Confirm membranes are suitable for project specific service temperatures. For assistance with exterior wall design, consult with a building science professional.
2. Install all GCP products in accordance with GCP Product Data Sheets and GCP recommendations.
3. GCP products are indicated in the detail legend in **BOLDFACE** font. Detail components by others are indicated in GRAY FONT. Install components per manufacturer and project specific requirements.

*Refer to air barrier system product data sheet for acceptable self-adhered flashing products.



SHEET-APPLIED FLASHING PRESTRIP

PERM-A-BARRIER® LIQUID AIR BARRIER SYSTEM

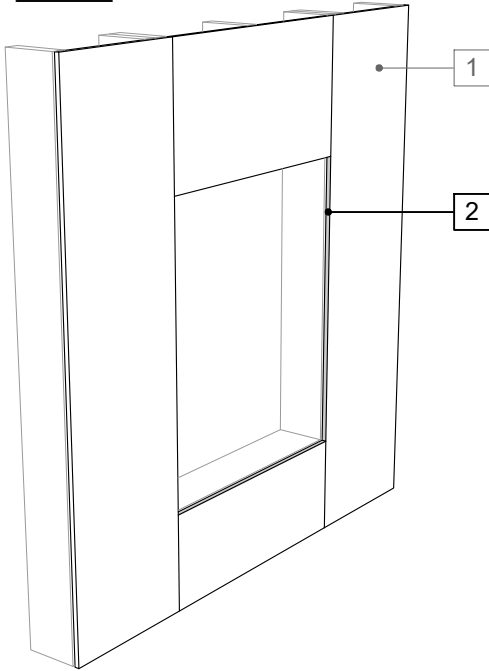
DRAWING: PLQ-003 (3D-2)

SCALE: 3" = 1"

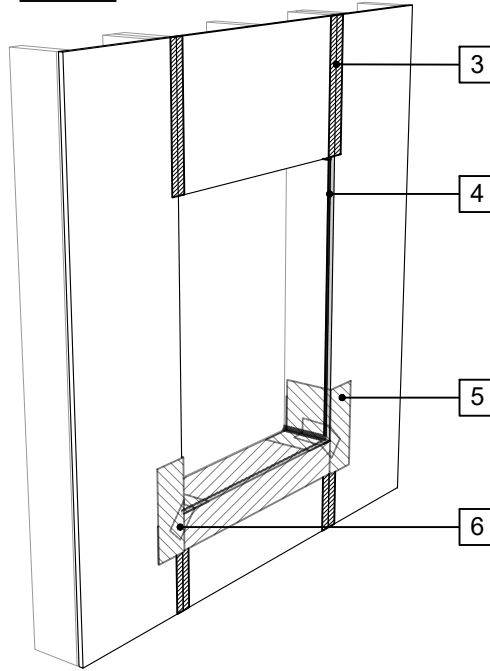
EFFECTIVE DATE: 2020.05.21

SUPERCEDES: NEW

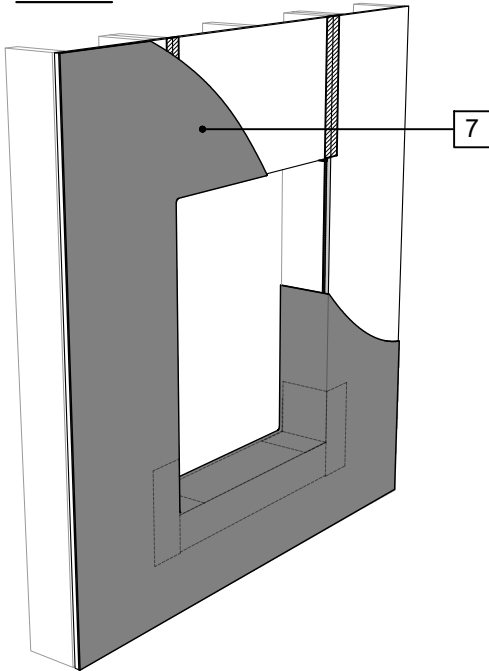
STEP 1



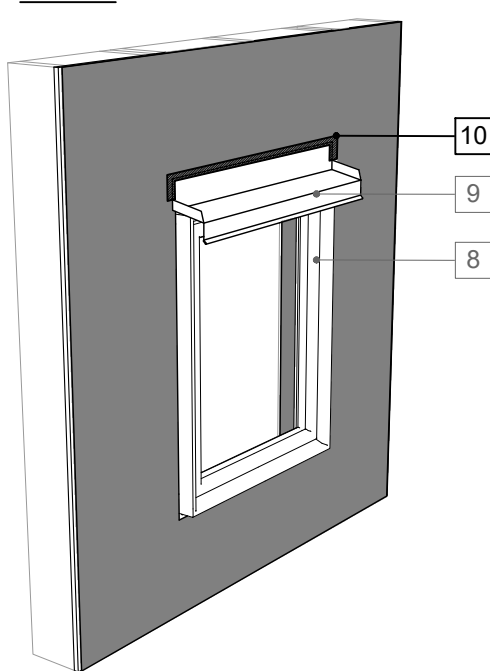
STEP 2



STEP 3



STEP 4



LEGEND

1. SHEATHING SUBSTRATE
2. PERM-A-BARRIER® PRIMER AT ALL EXPOSED GYPSUM SHEATHING EDGES
3. JOINT TREATMENT PER DETAIL PLQ-009B
4. GCP APPROVED SEALANT AT ALL TRANSITIONS BETWEEN FRAMING AND SHEATHING
5. PERM-A-BARRIER® DETAIL MEMBRANE, NPS DETAIL MEMBRANE, ALUMINUM FLASHING, OR WALL FLASHING - PRIME SUBSTRATE WHERE REQUIRED (SEE STEP 1 OF DRAWING PLQ-003 (3D-2))
6. CORNER PATCH
7. PERM-A-BARRIER® LIQUID
8. WINDOW PER ARCH
9. SHEET METAL HEAD FLASHING PER ARCH.
10. PERM-A-BARRIER® S100 SEALANT

NOTE

- CONTINUOUS AIR AND WATER SEAL AT PERIMETER OF FENESTRATION, FENESTRATION ATTACHMENT, AND DRAINAGE OF ROUGH OPENING TO BE PER PROJECT SPECIFIC REQUIREMENTS

GENERAL NOTES

1. Detail not suitable for all climates. Avoiding excessive moisture accumulation in exterior walls is dependent on many factors including proper placement of insulation and water, air, and vapor control layers in the wall. Confirm membranes are suitable for project specific service temperatures. For assistance with exterior wall design, consult with a building science professional.
2. Install all GCP products in accordance with GCP Product Data Sheets and GCP recommendations.
3. GCP products are indicated in the detail legend in **BOLDFACE** font. Detail components by others are indicated in GRAY FONT. Install components per manufacturer and project specific requirements.

*Refer to air barrier system product data sheet for acceptable self-adhered flashing products.



WINDOW FLASHING SEQUENCE - PLQ-APPLIED FLASHING

PERM-A-BARRIER® LIQUID
AIR BARRIER SYSTEM

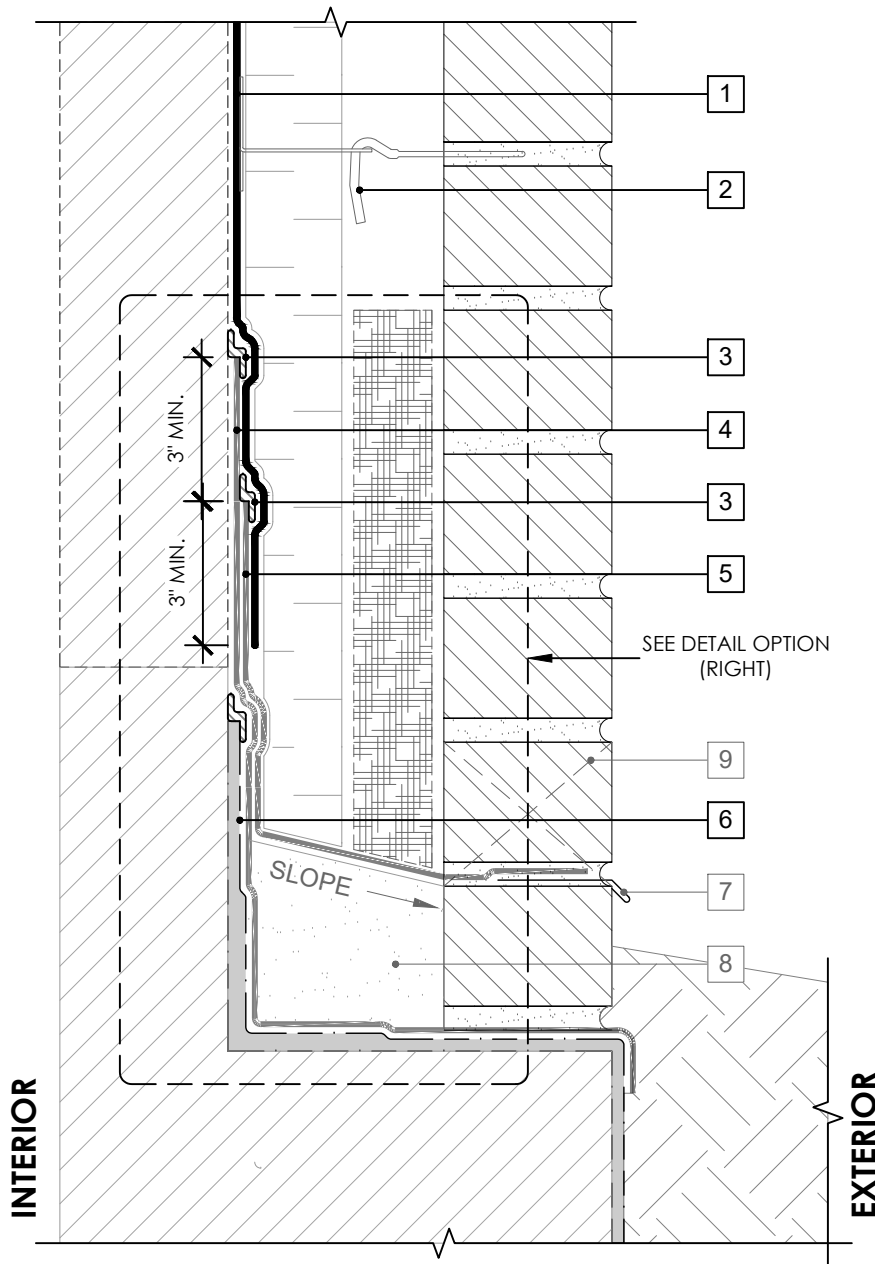
DRAWING: PLQ-003 (3D-3)

SCALE: 3" = 1'

EFFECTIVE DATE: 2020.05.21

SUPERCEDES: NEW

OPTION 1

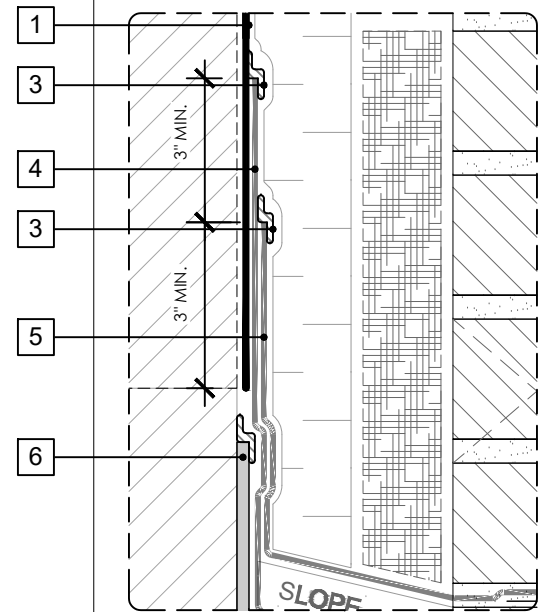


SEE PLQ-004 (3D-1) FOR 3D DETAIL

LEGEND

1. PERM-A-BARRIER® LIQUID
2. MASONRY ANCHOR DETAILING (SEE DRAWING PLQ-006)
3. PERM-A-BARRIER® S100 SEALANT - 1-INCH WIDE TROWELED BEAD
4. PERM-A-BARRIER® SELF-ADHERED FLASHING* - PRIME SUBSTRATE WHERE REQUIRED
5. PERM-A-BARRIER® WALL FLASHING - PRIME SUBSTRATE WHERE REQUIRED
6. BELOW GRADE WATERPROOFING SYSTEM - SEE GCPAT.COM
7. SHEET METAL FLASHING PER ARCH
8. GROUT SOLID TO HEIGHT OF CURB - SLOPE TOP
9. MASONRY WEEP/VENT

OPTION 2



SEE PLQ-004 (3D-2) FOR 3D DETAIL

GENERAL NOTES

1. Detail not suitable for all climates. Avoiding excessive moisture accumulation in exterior walls is dependent on many factors including proper placement of insulation and water, air, and vapor control layers in the wall. Confirm membranes are suitable for project specific service temperatures. For assistance with exterior wall design, consult with a building science professional.
2. Install all GCP products in accordance with GCP Product Data Sheets and GCP recommendations.
3. GCP products are indicated in the detail legend in **BOLDFACE** font. Detail components by others are indicated in GRAY FONT. Install components per manufacturer and project specific requirements.

*Refer to air barrier system product data sheet for acceptable self-adhered flashing products.



BASE-OF-WALL DETAIL - MASONRY CLADDING

PERM-A-BARRIER® LIQUID
AIR BARRIER SYSTEM

DRAWING: PLQ-004

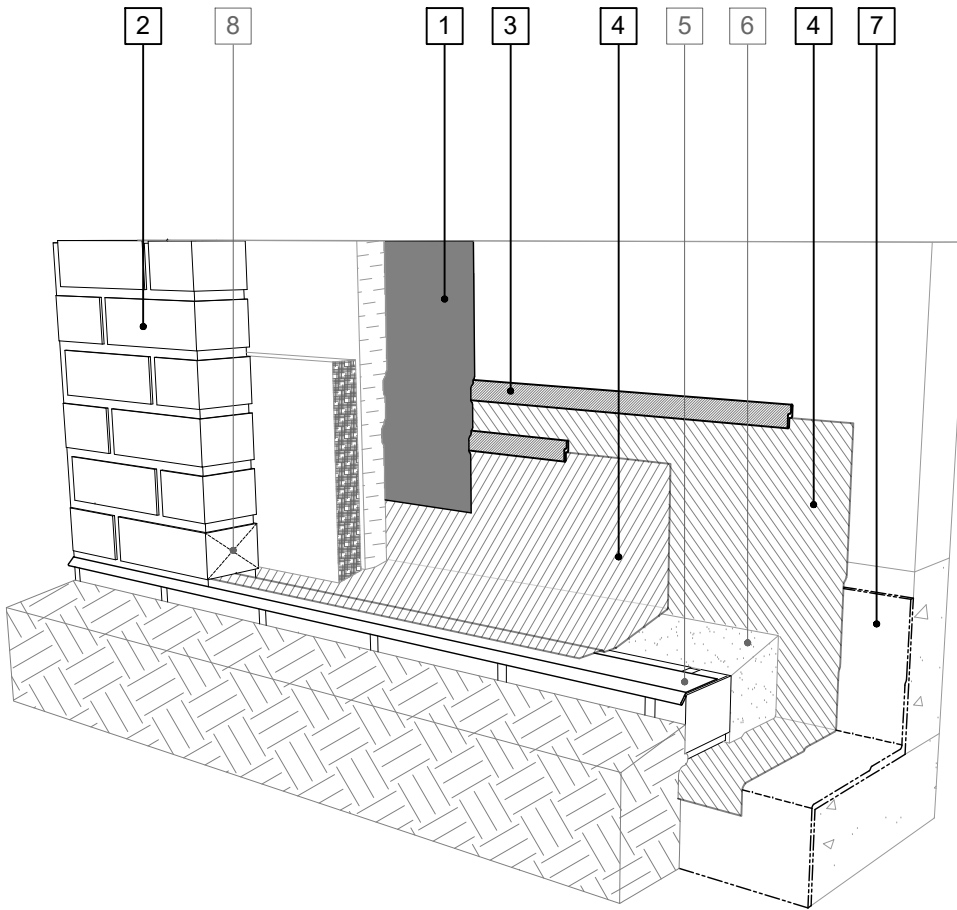
SCALE: 3" = 1'

EFFECTIVE DATE: 2020.05.21

SUPERCEDES: NEW

LEGEND

1. PERM-A-BARRIER® LIQUID
2. MASONRY ANCHOR DETAILING (SEE DRAWING PLQ-006)
3. PERM-A-BARRIER® S100 SEALANT - 1-INCH WIDE TROWELED BEAD
4. PERM-A-BARRIER® WALL FLASHING - PRIME SUBSTRATE WHERE REQUIRED
5. SHEET METAL FLASHING PER ARCH
6. GROUT SOLID TO HEIGHT OF CURB - SLOPE TOP
7. BELOW GRADE WATERPROOFING SYSTEM - SEE GCPAT.COM
8. MASONRY WEEP/VENT



SEE PLQ-004 (OPTION 1) FOR 2D DETAIL

GENERAL NOTES

1. Detail not suitable for all climates. Avoiding excessive moisture accumulation in exterior walls is dependent on many factors including proper placement of insulation and water, air, and vapor control layers in the wall. Confirm membranes are suitable for project specific service temperatures. For assistance with exterior wall design, consult with a building science professional.
2. Install all GCP products in accordance with GCP Product Data Sheets and GCP recommendations.
3. GCP products are indicated in the detail legend in **BOLDFACE** font. Detail components by others are indicated in GRAY FONT. Install components per manufacturer and project specific requirements.

*Refer to air barrier system product data sheet for acceptable self-adhered flashing products.



BASE-OF-WALL FLASHING SEQUENCE (OPTION 1) - MASONRY CLADDING

PERM-A-BARRIER® LIQUID
AIR BARRIER SYSTEM

DRAWING: PLQ-004 (3D-1)

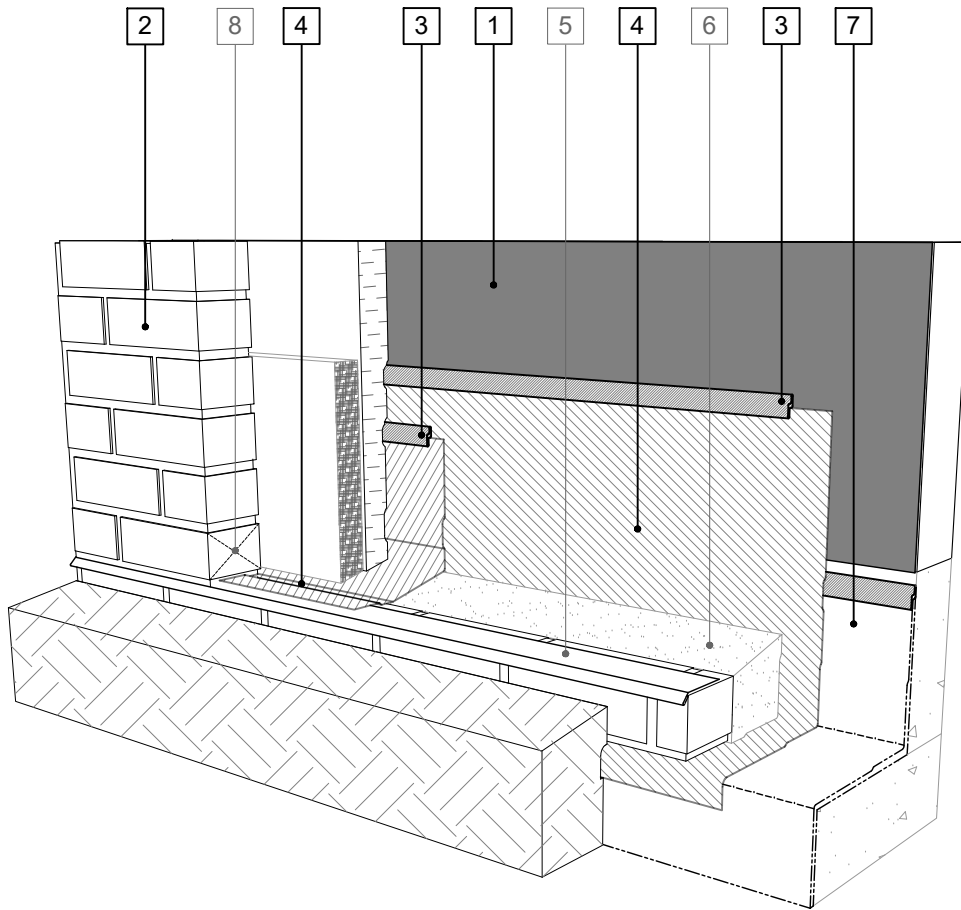
SCALE: 3" = 1'

EFFECTIVE DATE: 2020.05.21

SUPERCEDES: NEW

LEGEND

1. PERM-A-BARRIER® LIQUID
2. MASONRY ANCHOR DETAILING (SEE DRAWING PLQ-006)
3. PERM-A-BARRIER® S100 SEALANT
4. PERM-A-BARRIER® WALL FLASHING - PRIME SUBSTRATE WHERE REQUIRED
5. SHEET METAL FLASHING PER ARCH
6. GROUT SOLID TO HEIGHT OF CURB - SLOPE TOP
7. BELOW GRADE WATERPROOFING SYSTEM - SEE GCPAT.COM
8. MASONRY WEEP/VENT



SEE PLQ-004 (OPTION 2) FOR 2D DETAIL

GENERAL NOTES

1. Detail not suitable for all climates. Avoiding excessive moisture accumulation in exterior walls is dependent on many factors including proper placement of insulation and water, air, and vapor control layers in the wall. Confirm membranes are suitable for project specific service temperatures. For assistance with exterior wall design, consult with a building science professional.
2. Install all GCP products in accordance with GCP Product Data Sheets and GCP recommendations.
3. GCP products are indicated in the detail legend in **BOLDFACE** font. Detail components by others are indicated in GRAY FONT. Install components per manufacturer and project specific requirements.

*Refer to air barrier system product data sheet for acceptable self-adhered flashing products.



BASE-OF-WALL FLASHING SEQUENCE (OPTION 2) - MASONRY CLADDING

PERM-A-BARRIER® LIQUID
AIR BARRIER SYSTEM

DRAWING: PLQ-004 (3D-2)

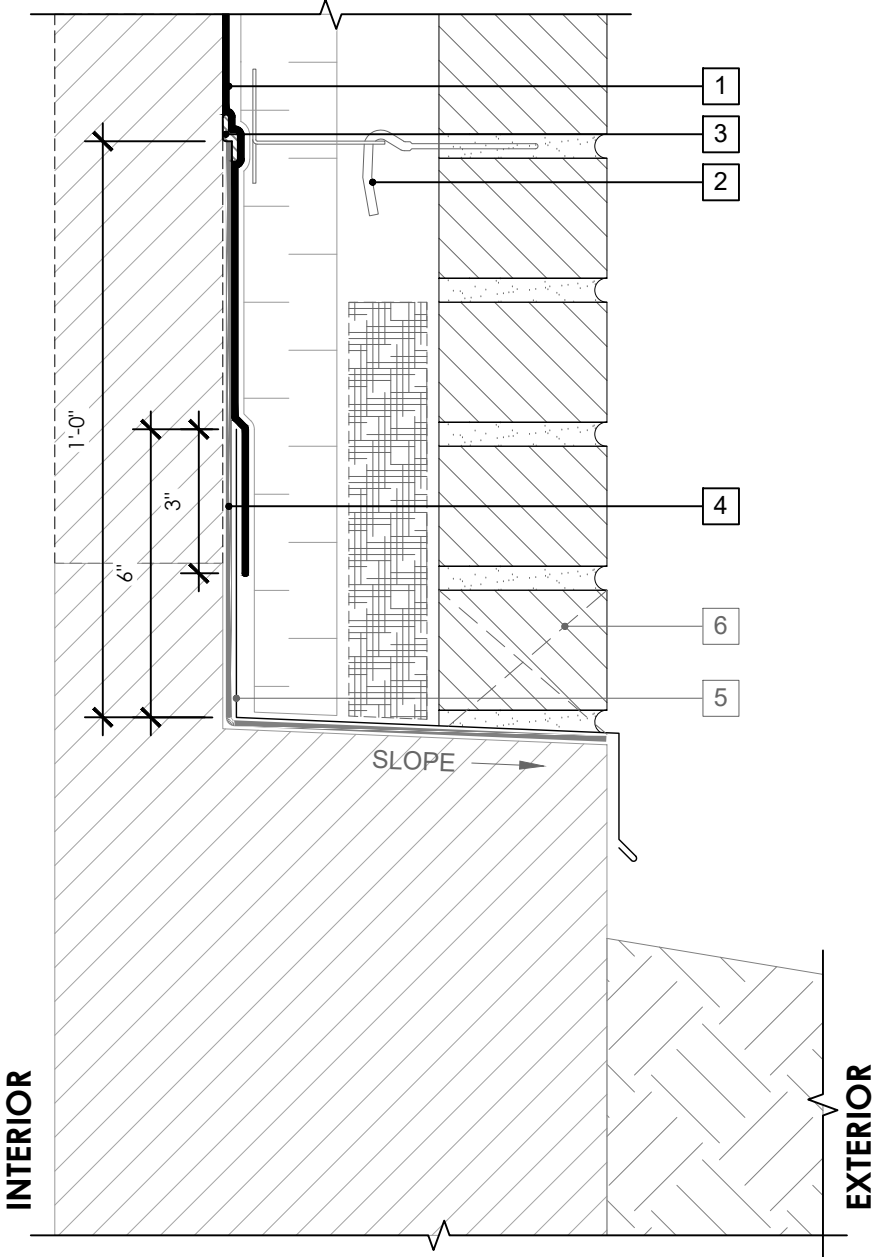
SCALE: 3" = 1'

EFFECTIVE DATE: 2020.05.21

SUPERCEDES: NEW

LEGEND

- 1. PERM-A-BARRIER® LIQUID
- 2. MASONRY ANCHOR DETAILING (SEE DRAWING PLQ-006)
- 3. PERM-A-BARRIER® S100 SEALANT - 1-INCH WIDE TROWELED BEAD
- 4. PERM-A-BARRIER® WALL FLASHING - PRIME SUBSTRATE WHERE REQUIRED
- 5. SHEET METAL FLASHING PER ARCH
- 6. MASONRY WEEP/VENT



GENERAL NOTES

- 1. Detail not suitable for all climates. Avoiding excessive moisture accumulation in exterior walls is dependent on many factors including proper placement of insulation and water, air, and vapor control layers in the wall. Confirm membranes are suitable for project specific service temperatures. For assistance with exterior wall design, consult with a building science professional.
- 2. Install all GCP products in accordance with GCP Product Data Sheets and GCP recommendations.
- 3. GCP products are indicated in the detail legend in **BOLDFACE** font. Detail components by others are indicated in GRAY FONT. Install components per manufacturer and project specific requirements.

*Refer to air barrier system product data sheet for acceptable self-adhered flashing products.



**BASE-OF-WALL DETAIL (ALTERNATE 1) -
MASONRY CLADDING**

PERM-A-BARRIER® LIQUID
AIR BARRIER SYSTEM

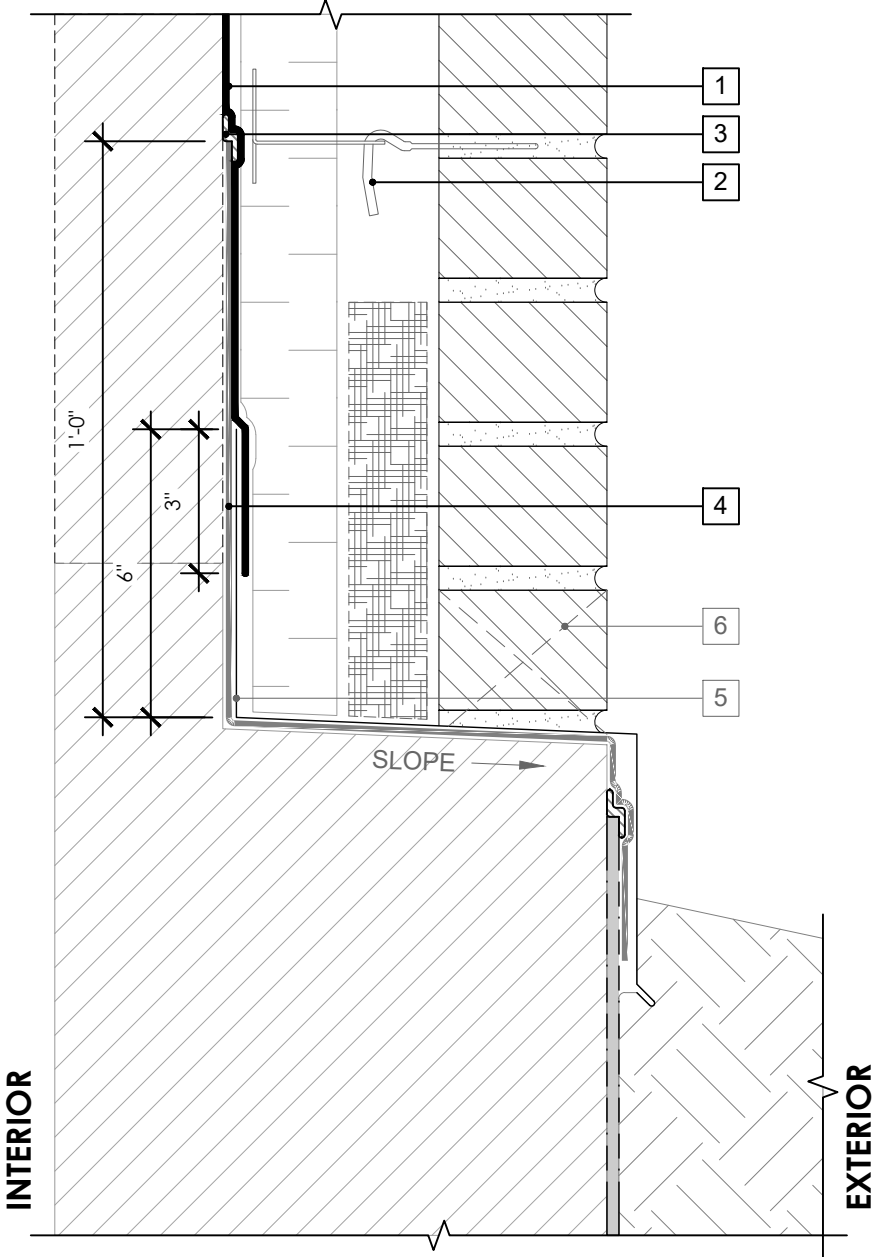
DRAWING:	PLQ-004 (ALT 1)
SCALE:	3" = 1'
EFFECTIVE DATE:	2020.05.21
SUPERCEDES:	NEW

LEGEND

- 1. PERM-A-BARRIER® LIQUID
- 2. MASONRY ANCHOR DETAILING (SEE DRAWING PLQ-006)
- 3. PERM-A-BARRIER® S100 SEALANT - 1-INCH WIDE TROWELED BEAD
- 4. PERM-A-BARRIER® WALL FLASHING - PRIME SUBSTRATE WHERE REQUIRED
- 5. SHEET METAL FLASHING PER ARCH
- 6. MASONRY WEEP/VENT

NOTE

- CONSULT GCP FOR BELOW GRADE WATERPROOFING COMPATIBILITY AND CONNECTION



GENERAL NOTES

- 1. Detail not suitable for all climates. Avoiding excessive moisture accumulation in exterior walls is dependent on many factors including proper placement of insulation and water, air, and vapor control layers in the wall. Confirm membranes are suitable for project specific service temperatures. For assistance with exterior wall design, consult with a building science professional.
- 2. Install all GCP products in accordance with GCP Product Data Sheets and GCP recommendations.
- 3. GCP products are indicated in the detail legend in **BOLDFACE** font. Detail components by others are indicated in GRAY FONT. Install components per manufacturer and project specific requirements.

*Refer to air barrier system product data sheet for acceptable self-adhered flashing products.

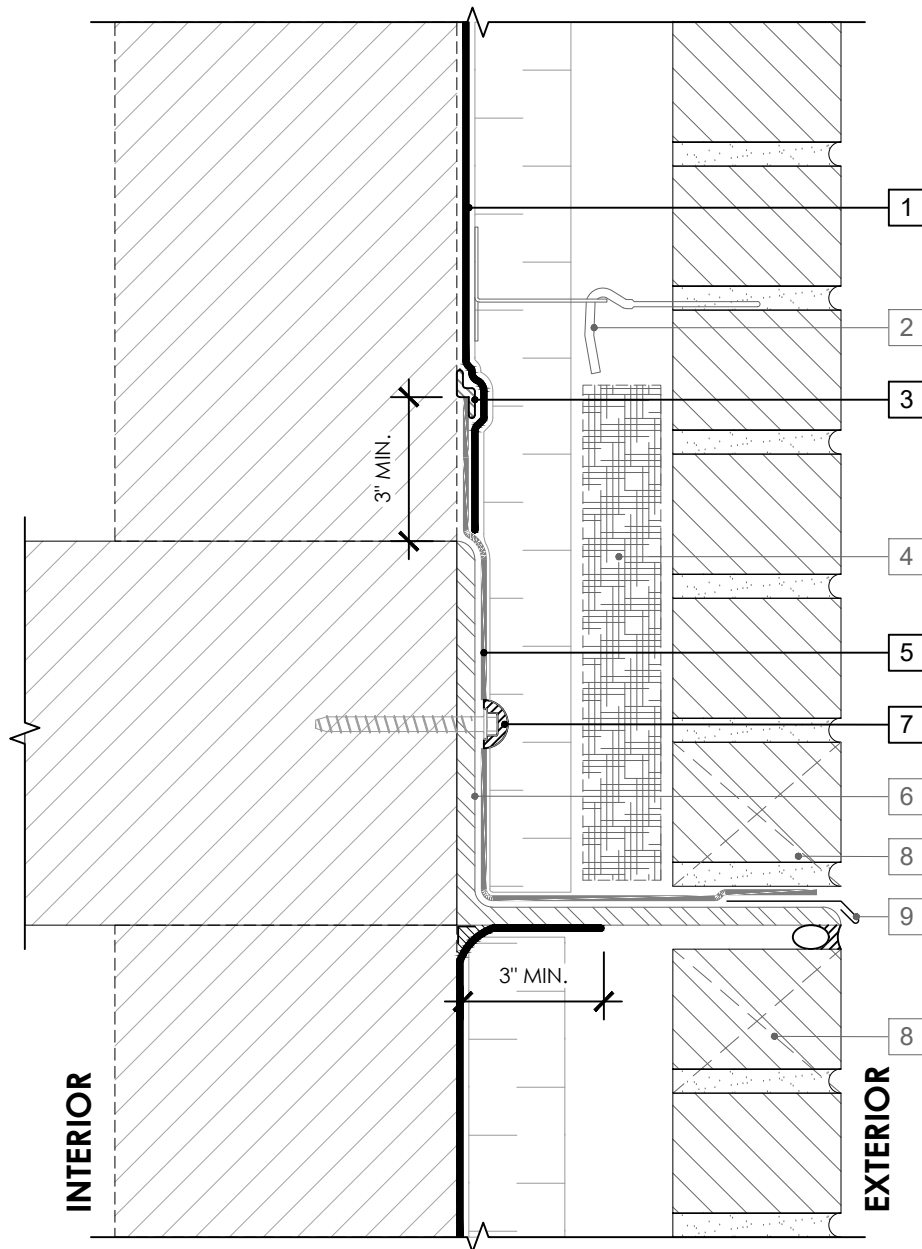


**BASE-OF-WALL DETAIL (ALTERNATE 2) -
MASONRY CLADDING**

PERM-A-BARRIER® LIQUID
AIR BARRIER SYSTEM

DRAWING:	PLQ-004 (ALT 2)
SCALE:	3" = 1'
EFFECTIVE DATE:	2020.05.21
SUPERCEDES:	NEW

OPTION 1

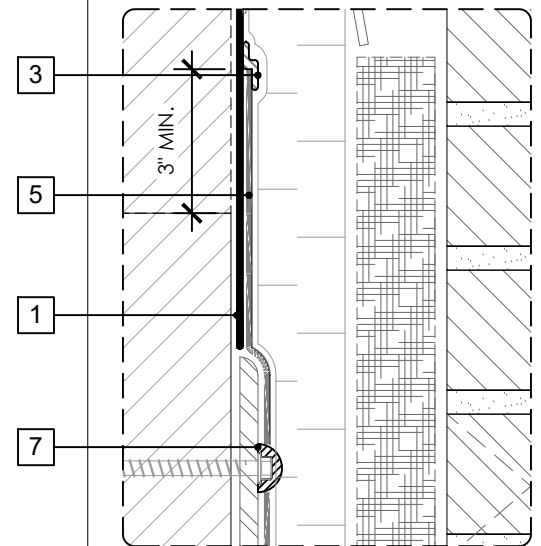


SEE PLQ-005 (3D-1) FOR 3D DETAIL

LEGEND

1. PERM-A-BARRIER® LIQUID
2. MASONRY ANCHOR DETAILING (SEE DRAWING PLQ-006)
3. PERM-A-BARRIER® S100 SEALANT - 1-INCH WIDE TROWELED BEAD
4. MORTAR COLLECTION MESH
5. PERM-A-BARRIER® WALL FLASHING (STAR CUT AT BOLT) - PRIME SUBSTRATE WHERE REQUIRED
6. CONTINUOUS SHELF ANGLE SUPPORT PER STRUCTURAL
7. PERM-A-BARRIER® S100 SEALANT AROUND FASTENER
8. MASONRY WEEP/VENT
9. SHEET METAL FLASHING PER ARCH

OPTION 2



SEE PLQ-005 (3D-2) FOR 3D DETAIL

GENERAL NOTES

1. Detail not suitable for all climates. Avoiding excessive moisture accumulation in exterior walls is dependent on many factors including proper placement of insulation and water, air, and vapor control layers in the wall. Confirm membranes are suitable for project specific service temperatures. For assistance with exterior wall design, consult with a building science professional.
2. Install all GCP products in accordance with GCP Product Data Sheets and GCP recommendations.
3. GCP products are indicated in the detail legend in **BOLDFACE** font. Detail components by others are indicated in GRAY FONT. Install components per manufacturer and project specific requirements.

*Refer to air barrier system product data sheet for acceptable self-adhered flashing products.



FLOOR LINE DETAIL - MASONRY CLADDING

PERM-A-BARRIER® LIQUID
AIR BARRIER SYSTEM

DRAWING: PLQ-005

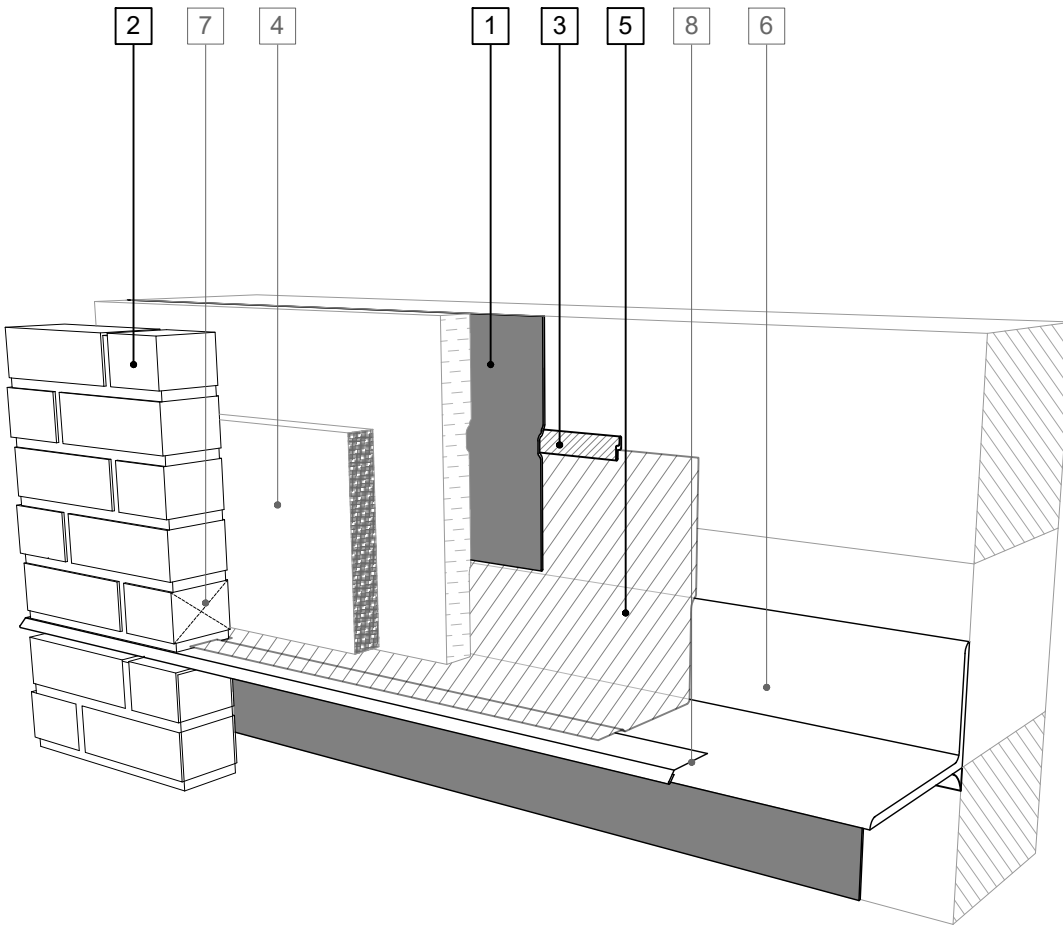
SCALE: 3" = 1'

EFFECTIVE DATE: 2020.05.21

SUPERCEDES: NEW

LEGEND

1. **PERM-A-BARRIER® LIQUID**
2. **MASONRY ANCHOR DETAILING (SEE DRAWING PLQ-006)**
3. **PERM-A-BARRIER® S100 SEALANT - 1-INCH WIDE TROWELED BEAD**
4. MORTAR COLLECTION MESH
5. **PERM-A-BARRIER® WALL FLASHING - PRIME SUBSTRATE WHERE REQUIRED**
6. CONTINUOUS SHELF ANGLE SUPPORT PER STRUCTURAL
7. MASONRY WEEP/VENT
8. SHEET METAL FLASHING PER ARCH



SEE PLQ-005 (OPTION 1) FOR 2D DETAIL

GENERAL NOTES

1. Detail not suitable for all climates. Avoiding excessive moisture accumulation in exterior walls is dependent on many factors including proper placement of insulation and water, air, and vapor control layers in the wall. Confirm membranes are suitable for project specific service temperatures. For assistance with exterior wall design, consult with a building science professional.
2. Install all GCP products in accordance with GCP Product Data Sheets and GCP recommendations.
3. GCP products are indicated in the detail legend in **BOLDFACE** font. Detail components by others are indicated in GRAY FONT. Install components per manufacturer and project specific requirements.

*Refer to air barrier system product data sheet for acceptable self-adhered flashing products.



FLOOR LINE FLASHING SEQUENCE (OPT. 1) - MASONRY CLADDING

PERM-A-BARRIER® LIQUID
AIR BARRIER SYSTEM

DRAWING: PLQ-005 (3D-1)

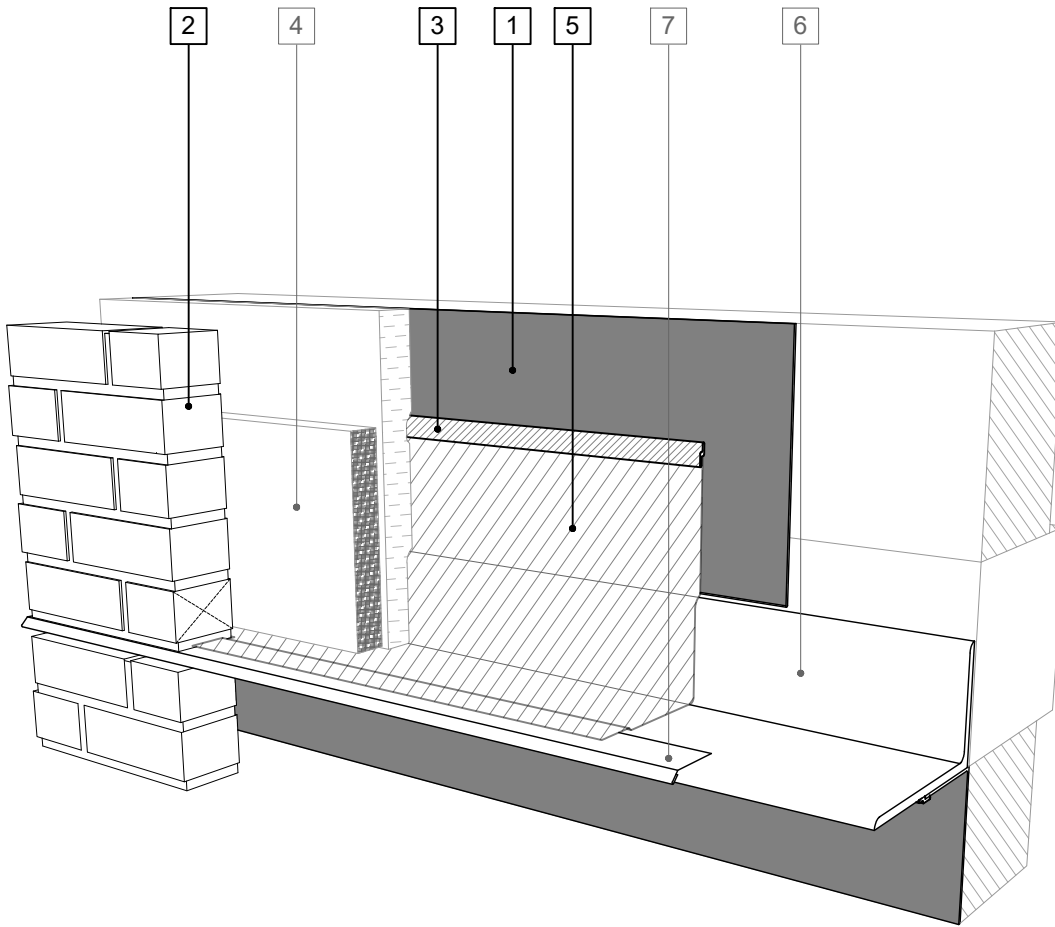
SCALE: 3" = 1'

EFFECTIVE DATE: 2020.05.21

SUPERCEDES: NEW

LEGEND

1. **PERM-A-BARRIER® LIQUID**
2. **MASONRY ANCHOR DETAILING (SEE DRAWING PLQ-006)**
3. **PERM-A-BARRIER® S100 SEALANT - 1-INCH WIDE TROWELED BEAD**
4. MORTAR COLLECTION MESH
5. **PERM-A-BARRIER® WALL FLASHING - PRIME SUBSTRATE WHERE REQUIRED**
6. CONTINUOUS SHELF ANGLE SUPPORT PER STRUCTURAL
7. SHEET METAL FLASHING PER ARCH



SEE PLQ-005 (OPTION 2) FOR 2D DETAIL

GENERAL NOTES

1. Detail not suitable for all climates. Avoiding excessive moisture accumulation in exterior walls is dependent on many factors including proper placement of insulation and water, air, and vapor control layers in the wall. Confirm membranes are suitable for project specific service temperatures. For assistance with exterior wall design, consult with a building science professional.
2. Install all GCP products in accordance with GCP Product Data Sheets and GCP recommendations.
3. GCP products are indicated in the detail legend in **BOLDFACE** font. Detail components by others are indicated in GRAY FONT. Install components per manufacturer and project specific requirements.

*Refer to air barrier system product data sheet for acceptable self-adhered flashing products.



FLOOR LINE FLASHING SEQUENCE (OPT. 2) - MASONRY CLADDING

PERM-A-BARRIER® LIQUID
AIR BARRIER SYSTEM

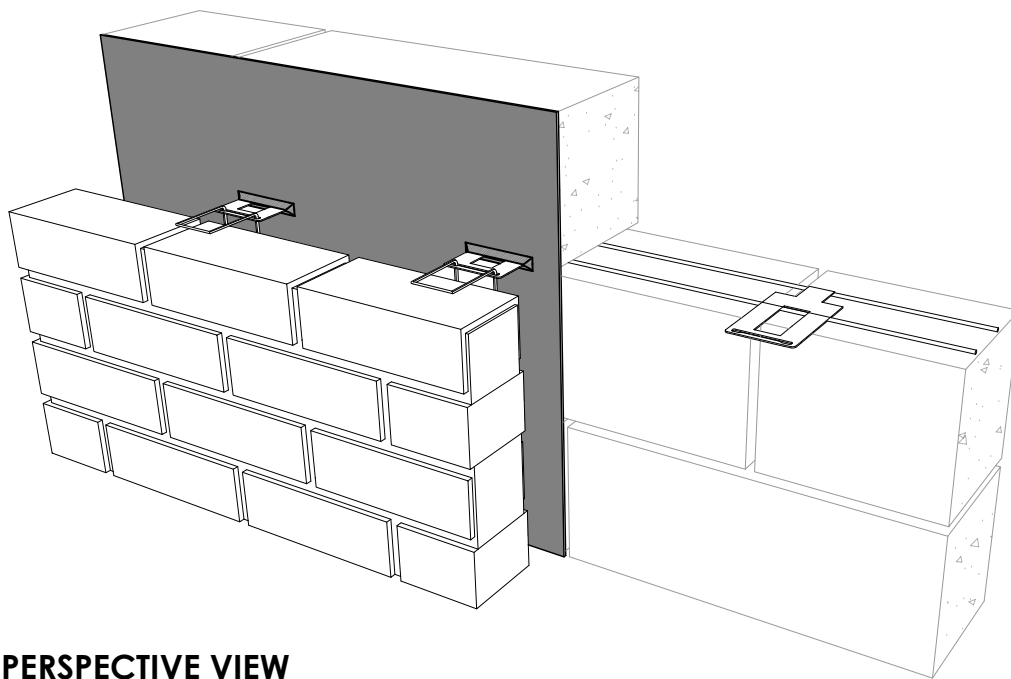
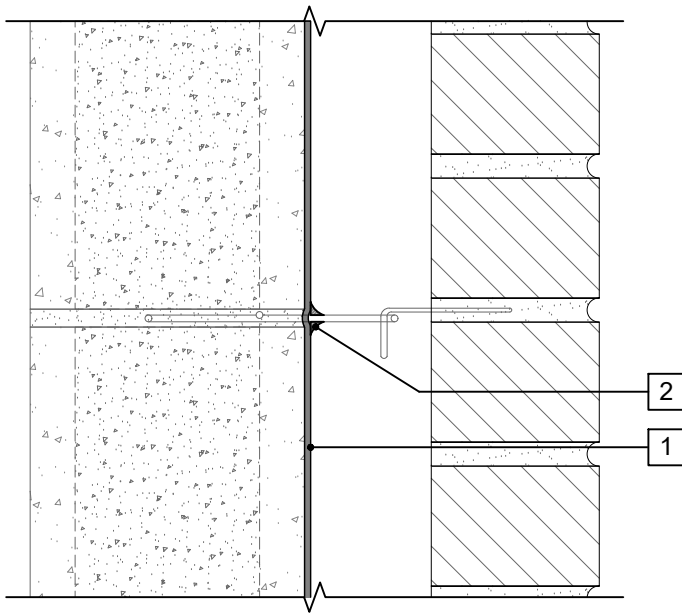
DRAWING: PLQ-005 (3D-2)

SCALE: 3" = 1'

EFFECTIVE DATE: 2020.05.21

SUPERCEDES: NEW

SECTION VIEW



PERSPECTIVE VIEW

LEGEND

1. PERM-A-BARRIER® LIQUID
2. PERM-A-BARRIER® S100 SEALANT FILLET SURROUNDING WIRE TIE PENETRATION (OPTIONAL)

NOTE

- ALL CMU JOINTS TO BE STRUCK FULL AND FLUSH

GENERAL NOTES

1. Detail not suitable for all climates. Avoiding excessive moisture accumulation in exterior walls is dependent on many factors including proper placement of insulation and water, air, and vapor control layers in the wall. Confirm membranes are suitable for project specific service temperatures. For assistance with exterior wall design, consult with a building science professional.
2. Install all GCP products in accordance with GCP Product Data Sheets and GCP recommendations.
3. GCP products are indicated in the detail legend in **BOLDFACE** font. Detail components by others are indicated in GRAY FONT. Install components per manufacturer and project specific requirements.

*Refer to air barrier system product data sheet for acceptable self-adhered flashing products.



MASONRY ANCHOR DETAILING - CMU SUBSTRATE

PERM-A-BARRIER® LIQUID
AIR BARRIER SYSTEM

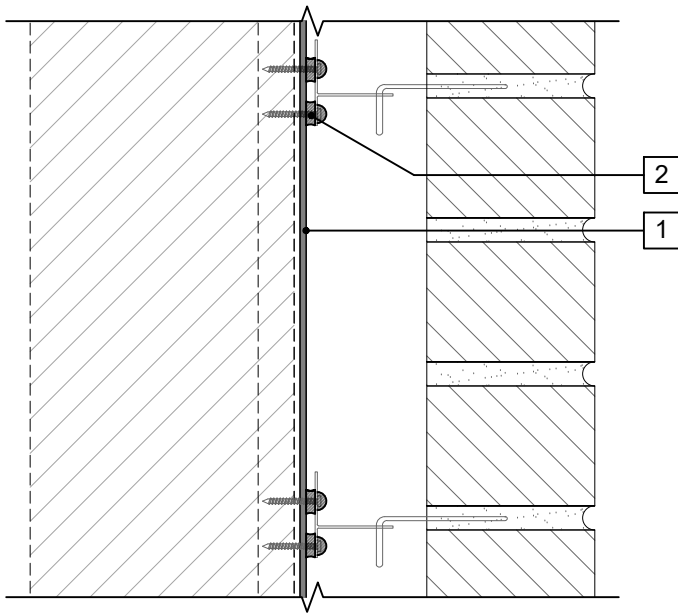
DRAWING: PLQ-006A

SCALE: 3" = 1'

EFFECTIVE DATE: 2020.05.21

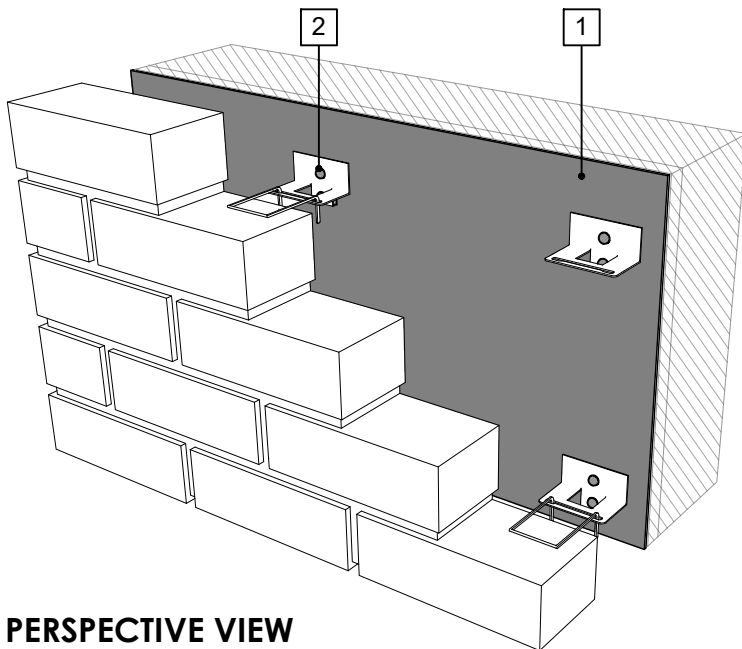
SUPERCEDES: NEW

SECTION VIEW



LEGEND

1. PERM-A-BARRIER® LIQUID
2. PERM-A-BARRIER® S100 SEALANT
AROUND FASTENER AT FRONT AND
BACK FACE OF MASONRY ANCHOR



PERSPECTIVE VIEW

GENERAL NOTES

1. Detail not suitable for all climates. Avoiding excessive moisture accumulation in exterior walls is dependent on many factors including proper placement of insulation and water, air, and vapor control layers in the wall. Confirm membranes are suitable for project specific service temperatures. For assistance with exterior wall design, consult with a building science professional.
2. Install all GCP products in accordance with GCP Product Data Sheets and GCP recommendations.
3. GCP products are indicated in the detail legend in **BOLDFACE** font. Detail components by others are indicated in GRAY FONT. Install components per manufacturer and project specific requirements.

*Refer to air barrier system product data sheet for acceptable self-adhered flashing products.



MASONRY ANCHOR DETAILING - FRAMED SUBSTRATE

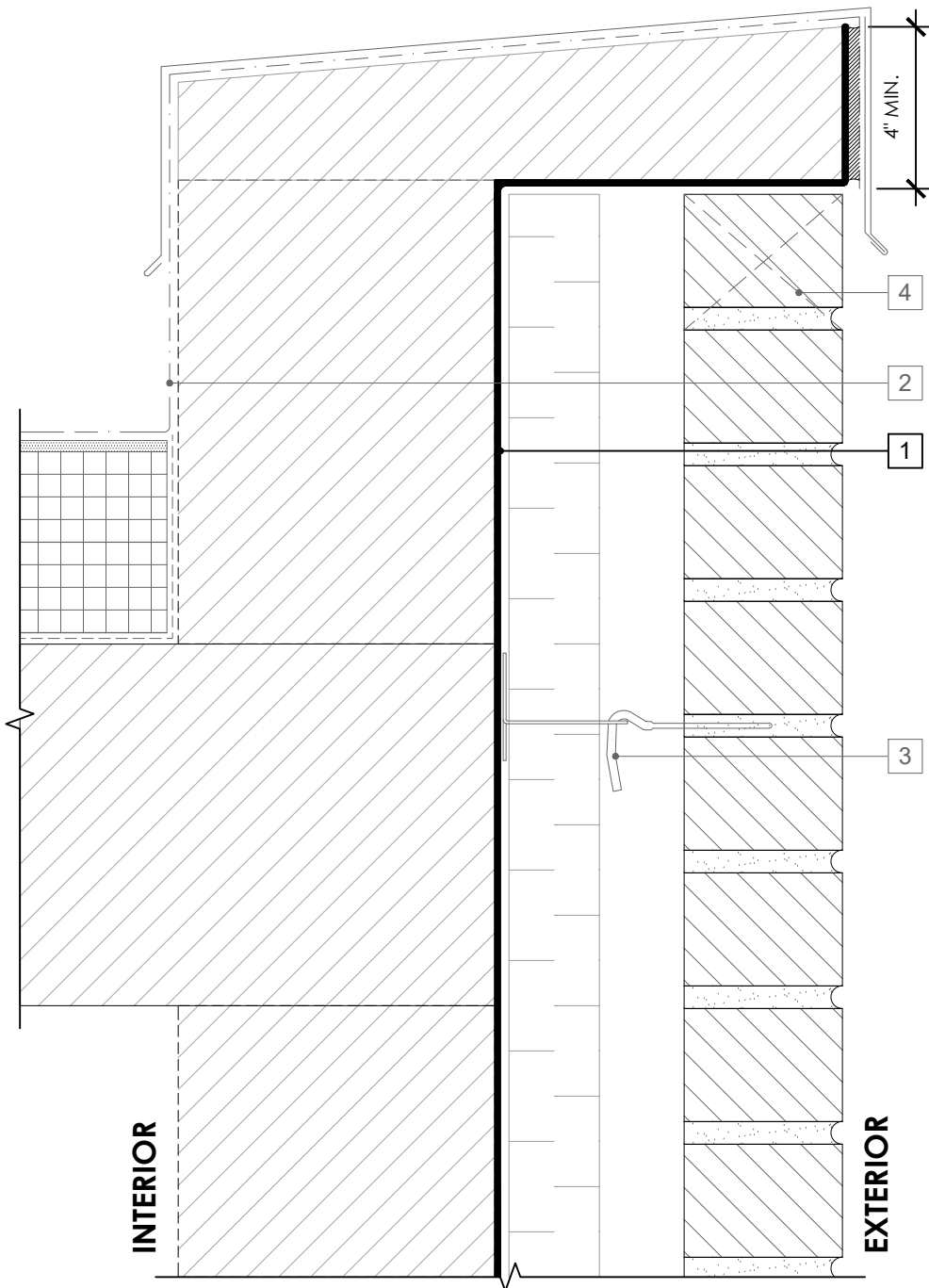
PERM-A-BARRIER® LIQUID
AIR BARRIER SYSTEM

DRAWING: PLQ-006B

SCALE: 3" = 1'

EFFECTIVE DATE: 2020.05.21

SUPERCEDES: NEW



LEGEND

1. **PERM-A-BARRIER® LIQUID**
2. ROOF MEMBRANE AND ROOF DETAILS
3. MASONRY ANCHOR DETAILING (SEE DRAWING PLQ-006)
4. MASONRY WEEP/VENT

NOTE

- CONSULT GCP & ROOFING MANUFACTURER FOR COMPATIBILITY AND CONNECTION AT ROOF INTERFACE

GENERAL NOTES

1. Detail not suitable for all climates. Avoiding excessive moisture accumulation in exterior walls is dependent on many factors including proper placement of insulation and water, air, and vapor control layers in the wall. Confirm membranes are suitable for project specific service temperatures. For assistance with exterior wall design, consult with a building science professional.
2. Install all GCP products in accordance with GCP Product Data Sheets and GCP recommendations.
3. GCP products are indicated in the detail legend in **BOLDFACE** font. Detail components by others are indicated in GRAY FONT. Install components per manufacturer and project specific requirements.

*Refer to air barrier system product data sheet for acceptable self-adhered flashing products.



PARAPET DETAIL - MASONRY CLADDING

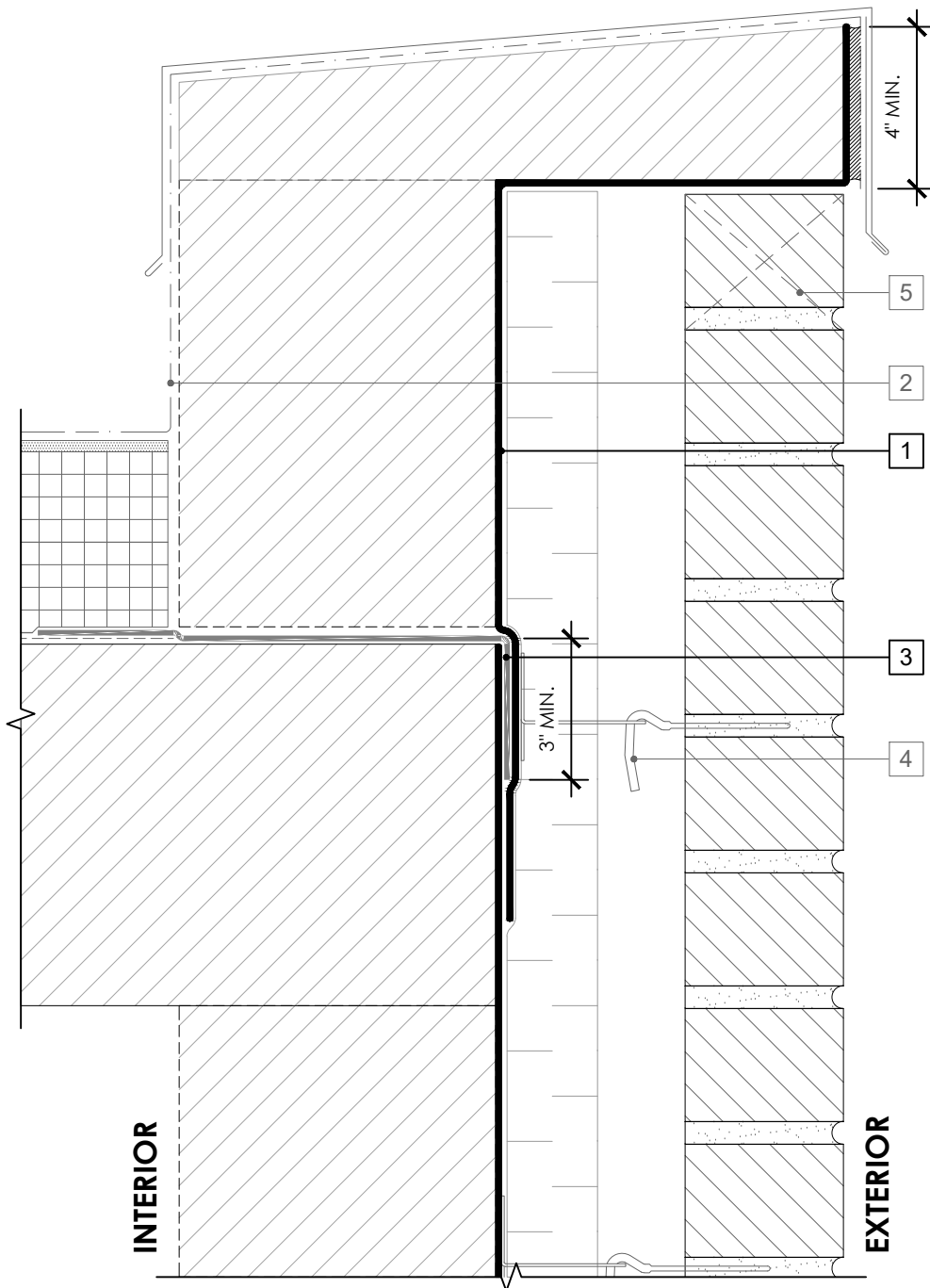
PERM-A-BARRIER® LIQUID
AIR BARRIER SYSTEM

DRAWING: PLQ-007

SCALE: 3" = 1'

EFFECTIVE DATE: 2020.05.21

SUPERCEDES: NEW



LEGEND

1. **PERM-A-BARRIER® LIQUID**
2. ROOF MEMBRANE AND ROOF DETAILS
3. **PERM-A-BARRIER® SELF-ADHERED FLASHING* - PRIME SUBSTRATE WHERE REQUIRED**
4. MASONRY ANCHOR DETAILING (SEE DRAWING PLQ-006)
5. MASONRY WEEP/VENT

NOTE

- CONSULT GCP & ROOFING MANUFACTURER FOR COMPATIBILITY AND CONNECTION AT ROOF INTERFACE

GENERAL NOTES

1. Detail not suitable for all climates. Avoiding excessive moisture accumulation in exterior walls is dependent on many factors including proper placement of insulation and water, air, and vapor control layers in the wall. Confirm membranes are suitable for project specific service temperatures. For assistance with exterior wall design, consult with a building science professional.
2. Install all GCP products in accordance with GCP Product Data Sheets and GCP recommendations.
3. GCP products are indicated in the detail legend in **BOLDFACE** font. Detail components by others are indicated in GRAY FONT. Install components per manufacturer and project specific requirements.

*Refer to air barrier system product data sheet for acceptable self-adhered flashing products.



PARAPET DETAIL (ALTERNATE) - MASONRY CLADDING

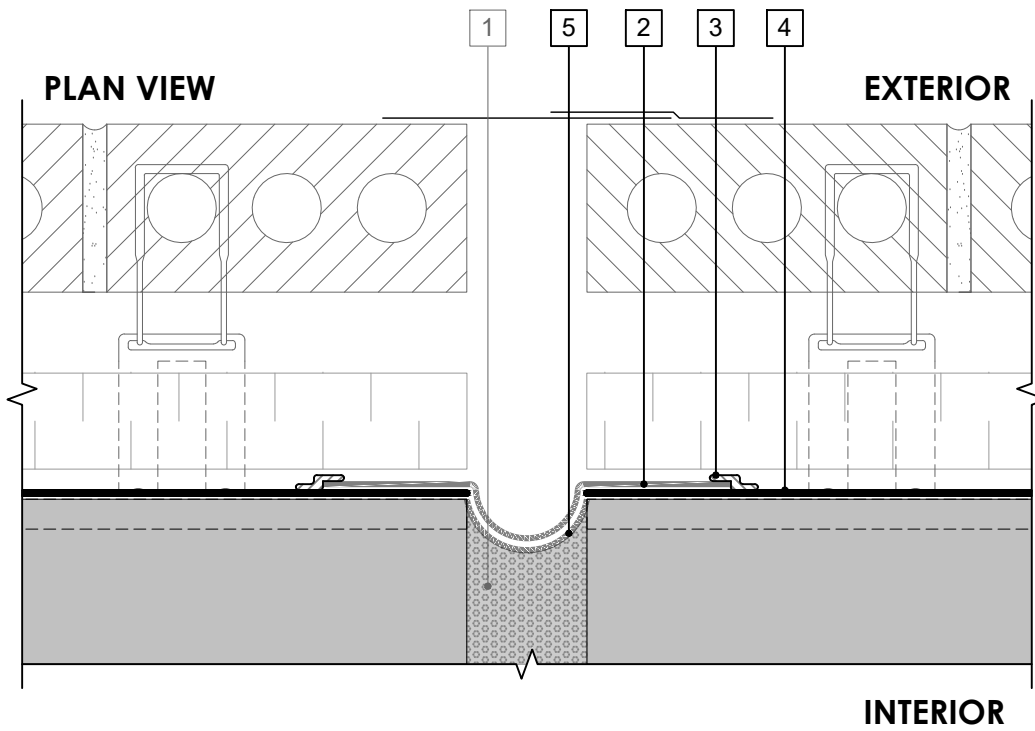
PERM-A-BARRIER® LIQUID
AIR BARRIER SYSTEM

DRAWING: PLQ-007 (ALT)

SCALE: 3" = 1'

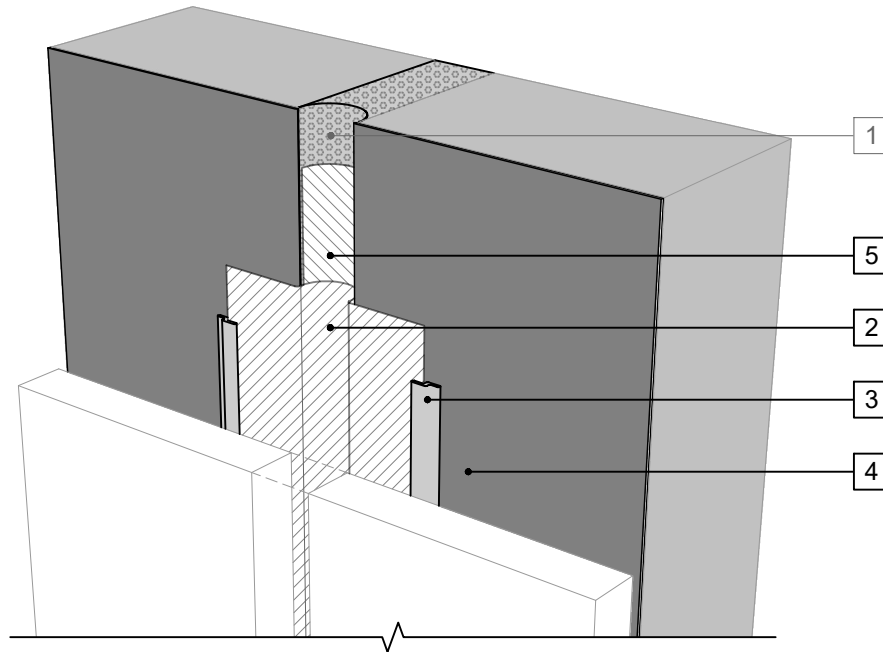
EFFECTIVE DATE: 2020.05.21

SUPERCEDES: NEW



LEGEND

- 1. COMPRESSIBLE JOINT FILLER - MAXIMUM 4-INCH WIDE JOINT CAPABLE OF A MAXIMUM 50% MOVEMENT IN COMPRESSION AND ELONGATION
- 2. PERM-A-BARRIER® SELF-ADHERED FLASHING* - PRIME SUBSTRATE WHERE REQUIRED
- 3. PERM-A-BARRIER® S100 SEALANT - 1-INCH WIDE TROWELED BEAD
- 4. PERM-A-BARRIER® LIQUID
- 5. PERM-A-BARRIER® SELF-ADHERED FLASHING* - INVERTED STRIP



NOTE

- WIDTH OF THE INVERTED STRIP SHALL BE TWICE THE WIDTH OF THE EXPANSION JOINT TO ACCOMMODATE MOVEMENT - ALL SEAMS, OVERLAPS, JOINTS, AND EDGES SEALED WITH S100
- MAXIMUM 4 INCH WIDE JOINT CAPABLE OF A MAXIMUM 50% MOVEMENT IN COMPRESSION AND ELONGATION
- CLADDING AND CLOSURE BY OTHERS NOT SHOWN FOR CLARITY

PERSPECTIVE VIEW

GENERAL NOTES

- 1. Detail not suitable for all climates. Avoiding excessive moisture accumulation in exterior walls is dependent on many factors including proper placement of insulation and water, air, and vapor control layers in the wall. Confirm membranes are suitable for project specific service temperatures. For assistance with exterior wall design, consult with a building science professional.
- 2. Install all GCP products in accordance with GCP Product Data Sheets and GCP recommendations.
- 3. GCP products are indicated in the detail legend in **BOLDFACE** font. Detail components by others are indicated in GRAY FONT. Install components per manufacturer and project specific requirements.

*Refer to air barrier system product data sheet for acceptable self-adhered flashing products.



**EXPANSION JOINT DETAIL -
MASONRY CLADDING**

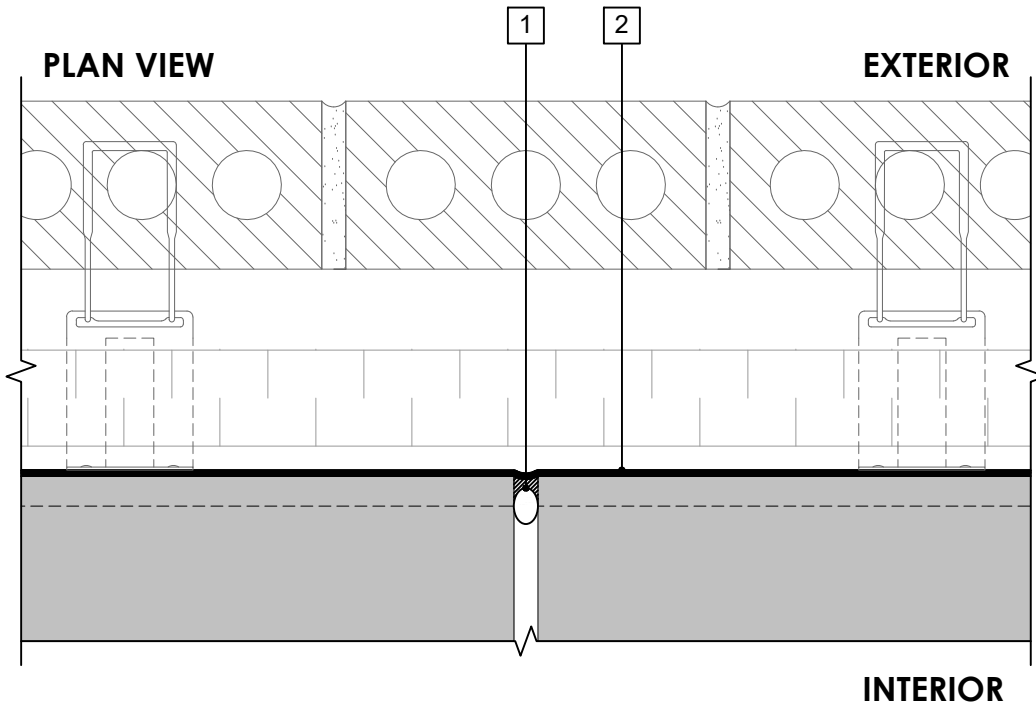
**PERM-A-BARRIER® LIQUID
AIR BARRIER SYSTEM**

DRAWING: PLQ-008

SCALE: 3" = 1'

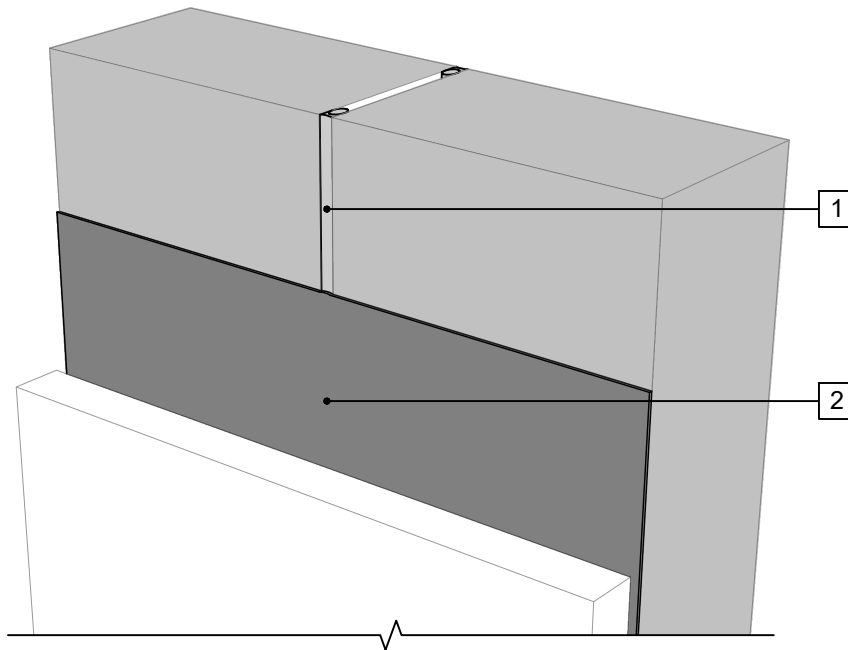
EFFECTIVE DATE: 2020.05.21

SUPERCEDES: NEW



LEGEND

1. BACKER ROD AND COMPATIBLE SEALANT
2. PERM-A-BARRIER® LIQUID



PERSPECTIVE VIEW

NOTE

- CONSULT GCP TO CONFIRM SEALANT COMPATIBILITY

GENERAL NOTES

1. Detail not suitable for all climates. Avoiding excessive moisture accumulation in exterior walls is dependent on many factors including proper placement of insulation and water, air, and vapor control layers in the wall. Confirm membranes are suitable for project specific service temperatures. For assistance with exterior wall design, consult with a building science professional.
2. Install all GCP products in accordance with GCP Product Data Sheets and GCP recommendations.
3. GCP products are indicated in the detail legend in **BOLDFACE** font. Detail components by others are indicated in GRAY FONT. Install components per manufacturer and project specific requirements.

*Refer to air barrier system product data sheet for acceptable self-adhered flashing products.



CONTROL JOINT DETAIL

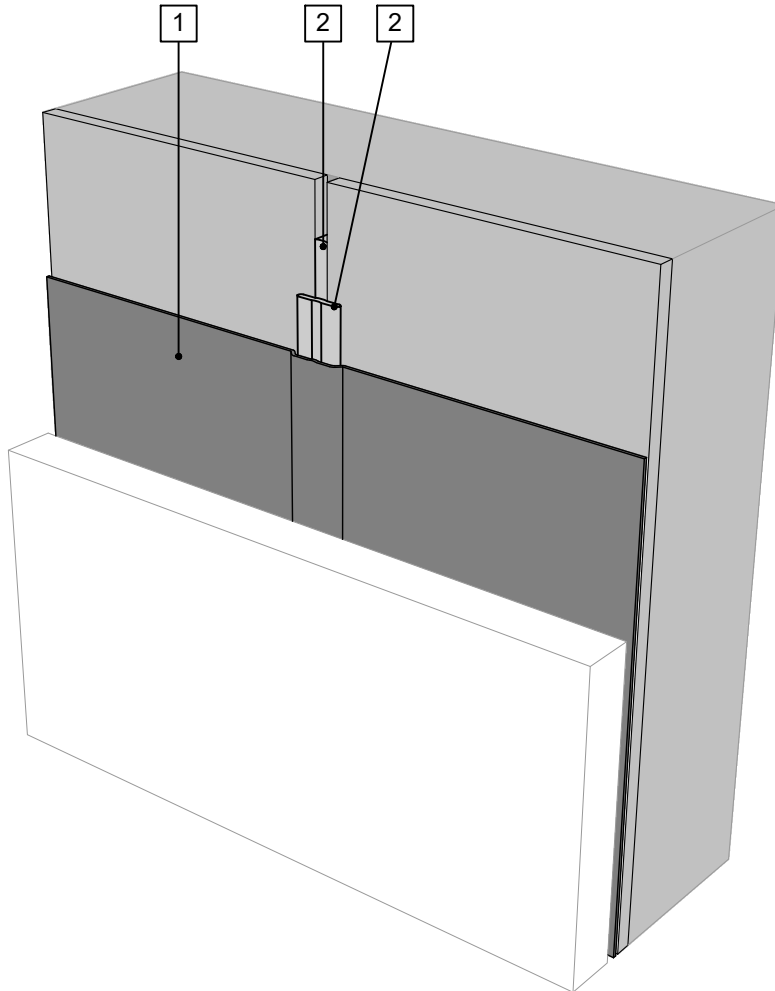
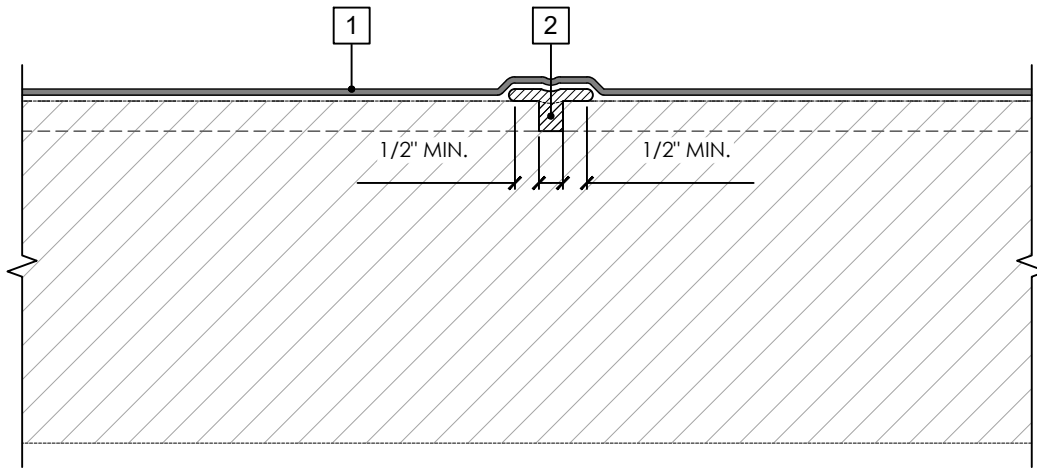
PERM-A-BARRIER® LIQUID
AIR BARRIER SYSTEM

DRAWING: PLQ-009A

SCALE: 3" = 1'

EFFECTIVE DATE: 2020.05.21

SUPERCEDES: NEW



LEGEND

1. **PERM-A-BARRIER® LIQUID**
2. **PERM-A-BARRIER® S100 SEALANT**

GENERAL NOTES

1. Detail not suitable for all climates. Avoiding excessive moisture accumulation in exterior walls is dependent on many factors including proper placement of insulation and water, air, and vapor control layers in the wall. Confirm membranes are suitable for project specific service temperatures. For assistance with exterior wall design, consult with a building science professional.
2. Install all GCP products in accordance with GCP Product Data Sheets and GCP recommendations.
3. GCP products are indicated in the detail legend in **BOLDFACE** font. Detail components by others are indicated in GRAY FONT. Install components per manufacturer and project specific requirements.

*Refer to air barrier system product data sheet for acceptable self-adhered flashing products.



SHEATHING JOINT TREATMENT

PERM-A-BARRIER® LIQUID
AIR BARRIER SYSTEM

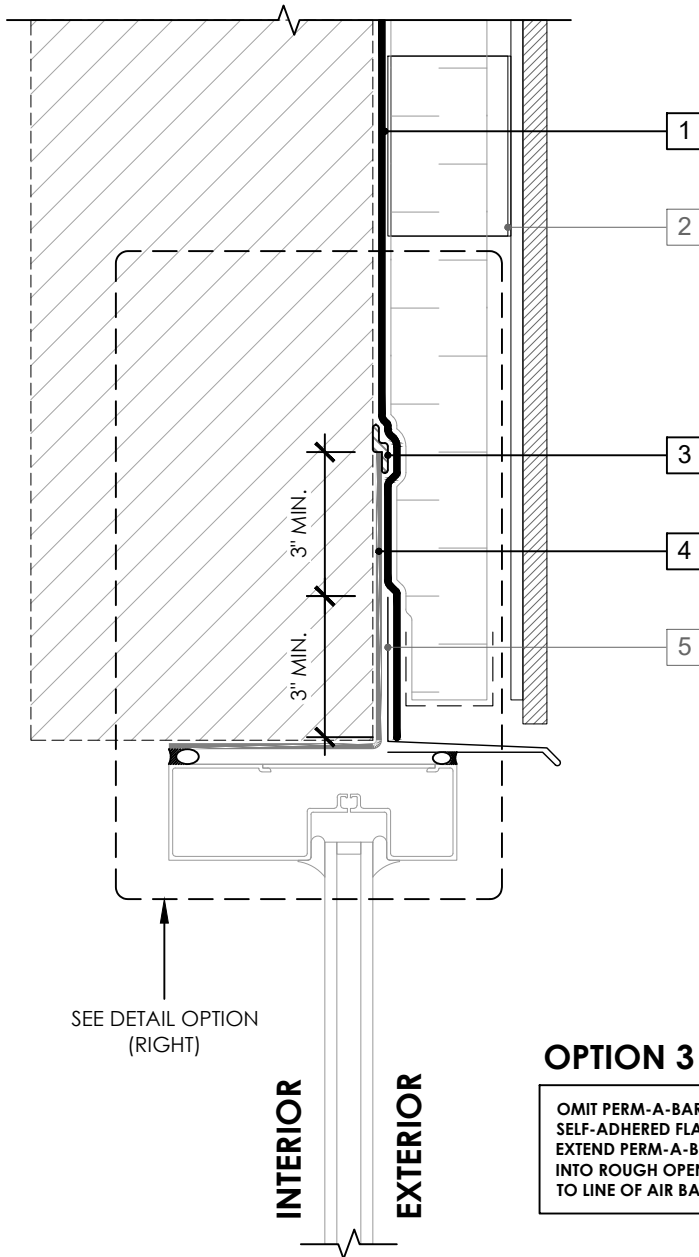
DRAWING: PLQ-009B

SCALE: 3" = 1'

EFFECTIVE DATE: 2020.05.21

SUPERCEDES: NEW

OPTION 1



SEE DETAIL OPTION (RIGHT)

INTERIOR
EXTERIOR

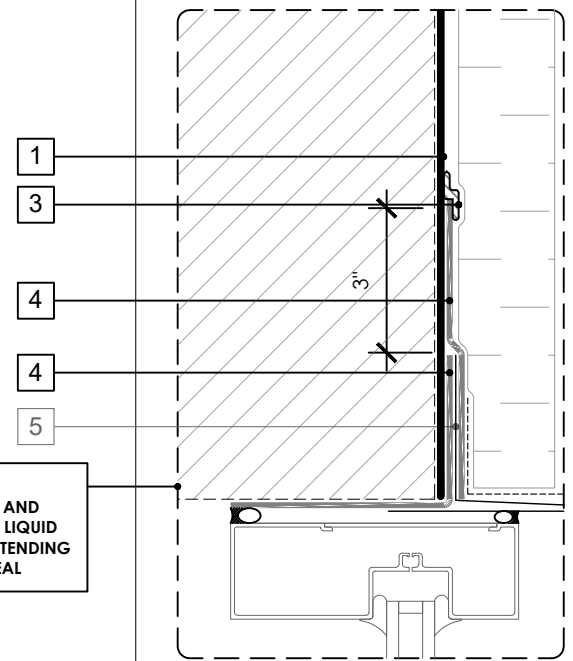
OPTION 3

OMIT PERM-A-BARRIER® SELF-ADHERED FLASHING* AND EXTEND PERM-A-BARRIER® LIQUID INTO ROUGH OPENING EXTENDING TO LINE OF AIR BARRIER SEAL

LEGEND

1. **PERM-A-BARRIER® LIQUID**
2. CLADDING ATTACHMENT - CONFIRM DETAILING REQUIREMENTS WITH THE GCPAT REPRESENTATIVE
3. **PERM-A-BARRIER® S100 SEALANT - 1-INCH WIDE TROWELED BEAD**
4. **PERM-A-BARRIER® SELF-ADHERED FLASHING* - PRIME SUBSTRATE WHERE REQUIRED**
5. SHEET METAL FLASHING PER ARCH

OPTION 2



GENERAL NOTES

1. Detail not suitable for all climates. Avoiding excessive moisture accumulation in exterior walls is dependent on many factors including proper placement of insulation and water, air, and vapor control layers in the wall. Confirm membranes are suitable for project specific service temperatures. For assistance with exterior wall design, consult with a building science professional.
2. Install all GCP products in accordance with GCP Product Data Sheets and GCP recommendations.
3. GCP products are indicated in the detail legend in **BOLDFACE** font. Detail components by others are indicated in GRAY FONT. Install components per manufacturer and project specific requirements.

*Refer to air barrier system product data sheet for acceptable self-adhered flashing products.



WINDOW HEAD DETAIL - NON-MASONRY CLADDING

PERM-A-BARRIER® LIQUID AIR BARRIER SYSTEM

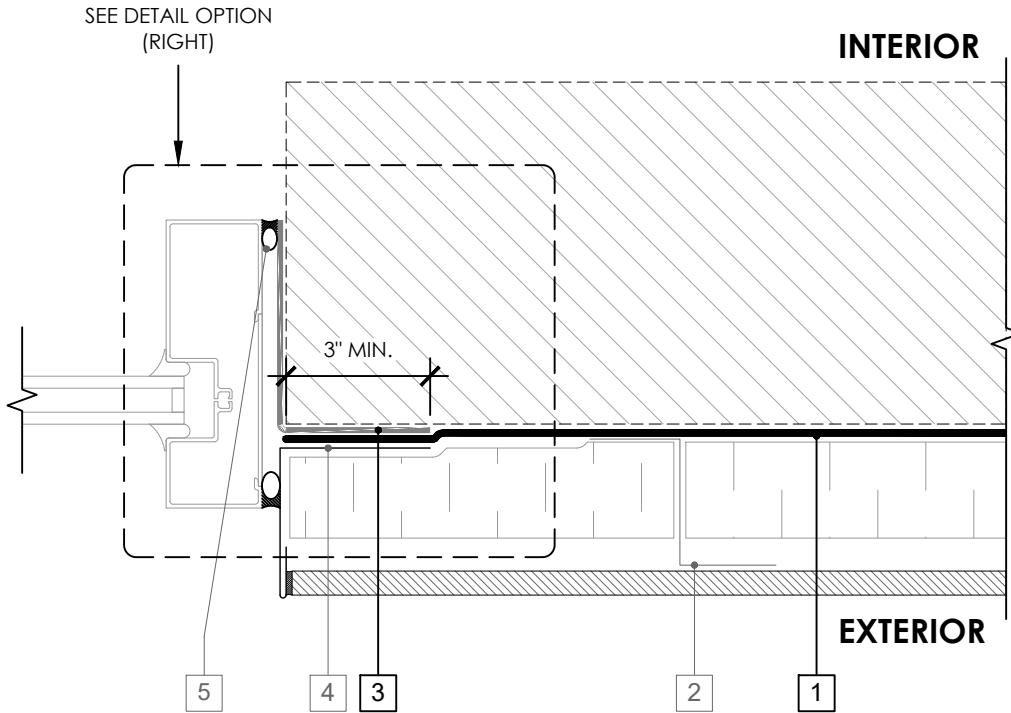
DRAWING: PLQ-010

SCALE: 3" = 1'

EFFECTIVE DATE: 2020.05.21

SUPERCEDES: NEW

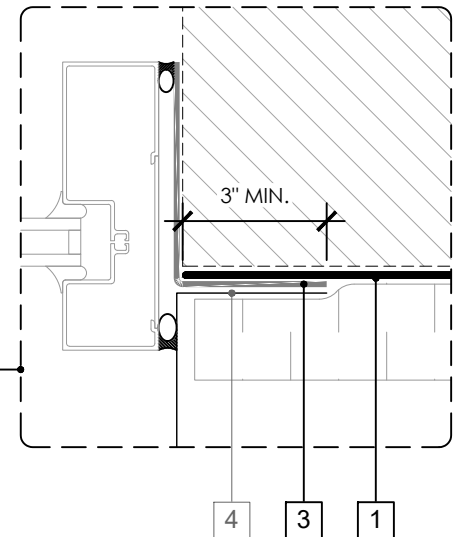
OPTION 1



LEGEND

1. **PERM-A-BARRIER® LIQUID**
2. CLADDING ATTACHMENT - CONFIRM DETAILING REQUIREMENTS WITH THE GCPAT REPRESENTATIVE
3. **PERM-A-BARRIER® SELF-ADHERED FLASHING* - PRIME SUBSTRATE WHERE REQUIRED**
4. SHEET METAL FLASHING PER ARCH
5. INTERIOR AIR SEALANT OVER BACKER ROD

OPTION 2



OPTION 3

OMIT PERM-A-BARRIER® SELF-ADHERED FLASHING* AND EXTEND PERM-A-BARRIER® LIQUID INTO ROUGH OPENING EXTENDING TO LINE OF AIR BARRIER SEAL

GENERAL NOTES

1. Detail not suitable for all climates. Avoiding excessive moisture accumulation in exterior walls is dependent on many factors including proper placement of insulation and water, air, and vapor control layers in the wall. Confirm membranes are suitable for project specific service temperatures. For assistance with exterior wall design, consult with a building science professional.
2. Install all GCP products in accordance with GCP Product Data Sheets and GCP recommendations.
3. GCP products are indicated in the detail legend in **BOLDFACE** font. Detail components by others are indicated in GRAY FONT. Install components per manufacturer and project specific requirements.

*Refer to air barrier system product data sheet for acceptable self-adhered flashing products.

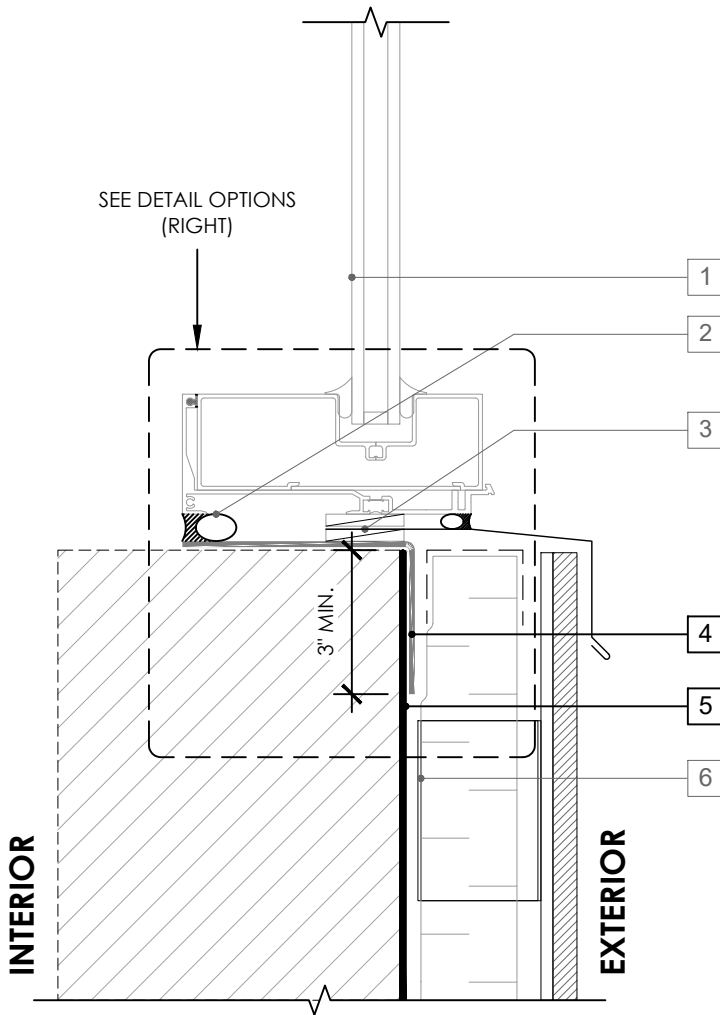


WINDOW JAMB DETAIL - NON-MASONRY CLADDING

PERM-A-BARRIER® LIQUID AIR BARRIER SYSTEM

DRAWING:	PLQ-011
SCALE:	3" = 1'
EFFECTIVE DATE:	2020.05.21
SUPERCEDES:	NEW

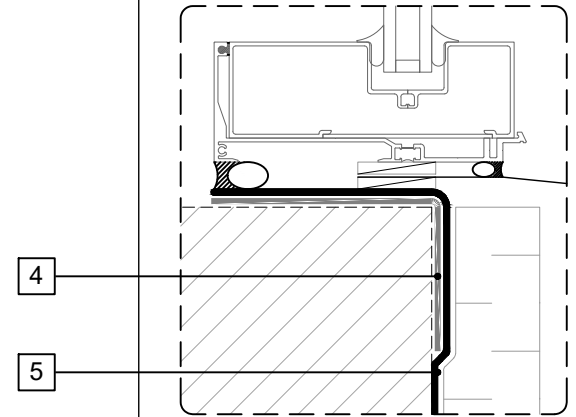
OPTION 1



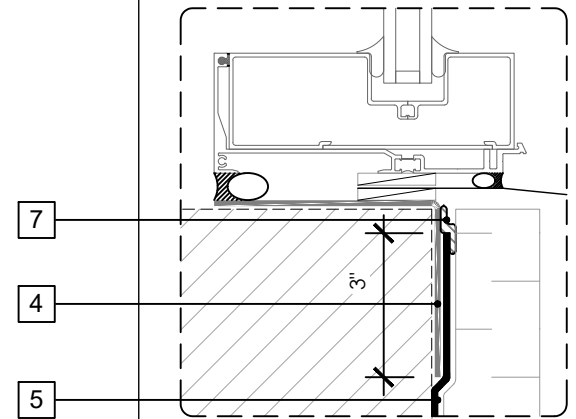
LEGEND

1. NON-FLANGED WINDOW SYSTEM
2. INTERIOR AIR SEALANT OVER BACKER ROD
3. SHEET METAL FLASHING SANDWICHED BETWEEN INTERMITTENT SHIMS
- 4. PERM-A-BARRIER® SELF-ADHERED FLASHING* - PRIME SUBSTRATE WHERE REQUIRED**
- 5. PERM-A-BARRIER® LIQUID**
6. CLADDING ATTACHMENT - CONFIRM DETAILING REQUIREMENTS WITH THE GCPAT REPRESENTATIVE
- 7. PERM-A-BARRIER® S100 SEALANT - 1-INCH WIDE TROWELED BEAD**

OPTION 2



OPTION 3



GENERAL NOTES

1. Detail not suitable for all climates. Avoiding excessive moisture accumulation in exterior walls is dependent on many factors including proper placement of insulation and water, air, and vapor control layers in the wall. Confirm membranes are suitable for project specific service temperatures. For assistance with exterior wall design, consult with a building science professional.
2. Install all GCP products in accordance with GCP Product Data Sheets and GCP recommendations.
3. GCP products are indicated in the detail legend in **BOLDFACE** font. Detail components by others are indicated in GRAY FONT. Install components per manufacturer and project specific requirements.

*Refer to air barrier system product data sheet for acceptable self-adhered flashing products.



WINDOW SILL DETAIL - NON-MASONRY CLADDING

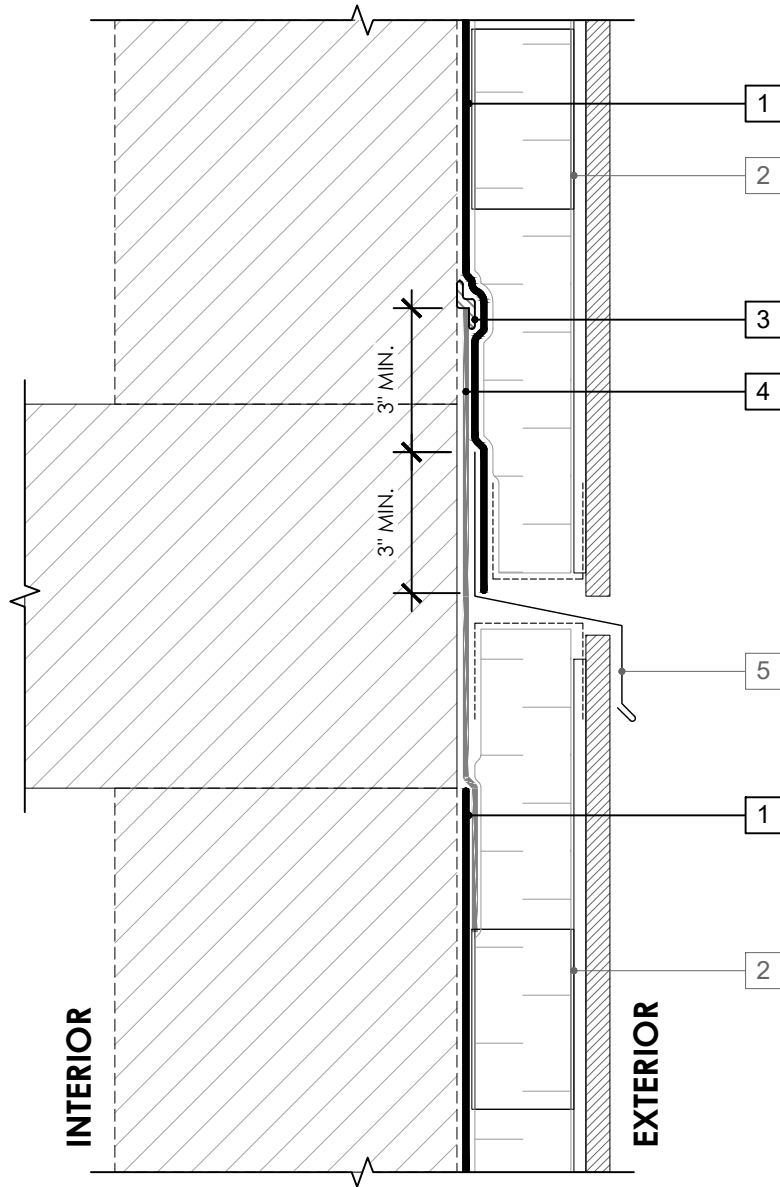
PERM-A-BARRIER® LIQUID
AIR BARRIER SYSTEM

DRAWING: PLQ-012

SCALE: 3" = 1'

EFFECTIVE DATE: 2020.05.21

SUPERCEDES: NEW



LEGEND

1. **PERM-A-BARRIER® LIQUID**
2. CLADDING ATTACHMENT - CONFIRM DETAILING REQUIREMENTS WITH THE GCPAT REPRESENTATIVE
3. **PERM-A-BARRIER® S100 SEALANT - 1-INCH WIDE TROWELED BEAD**
4. **PERM-A-BARRIER® SELF-ADHERED FLASHING* - PRIME SUBSTRATE WHERE REQUIRED**
5. SHEET METAL FLASHING PER ARCH

GENERAL NOTES

1. Detail not suitable for all climates. Avoiding excessive moisture accumulation in exterior walls is dependent on many factors including proper placement of insulation and water, air, and vapor control layers in the wall. Confirm membranes are suitable for project specific service temperatures. For assistance with exterior wall design, consult with a building science professional.
2. Install all GCP products in accordance with GCP Product Data Sheets and GCP recommendations.
3. GCP products are indicated in the detail legend in **BOLDFACE** font. Detail components by others are indicated in GRAY FONT. Install components per manufacturer and project specific requirements.

*Refer to air barrier system product data sheet for acceptable self-adhered flashing products.



FLOOR LINE DETAIL - NON-MASONRY CLADDING

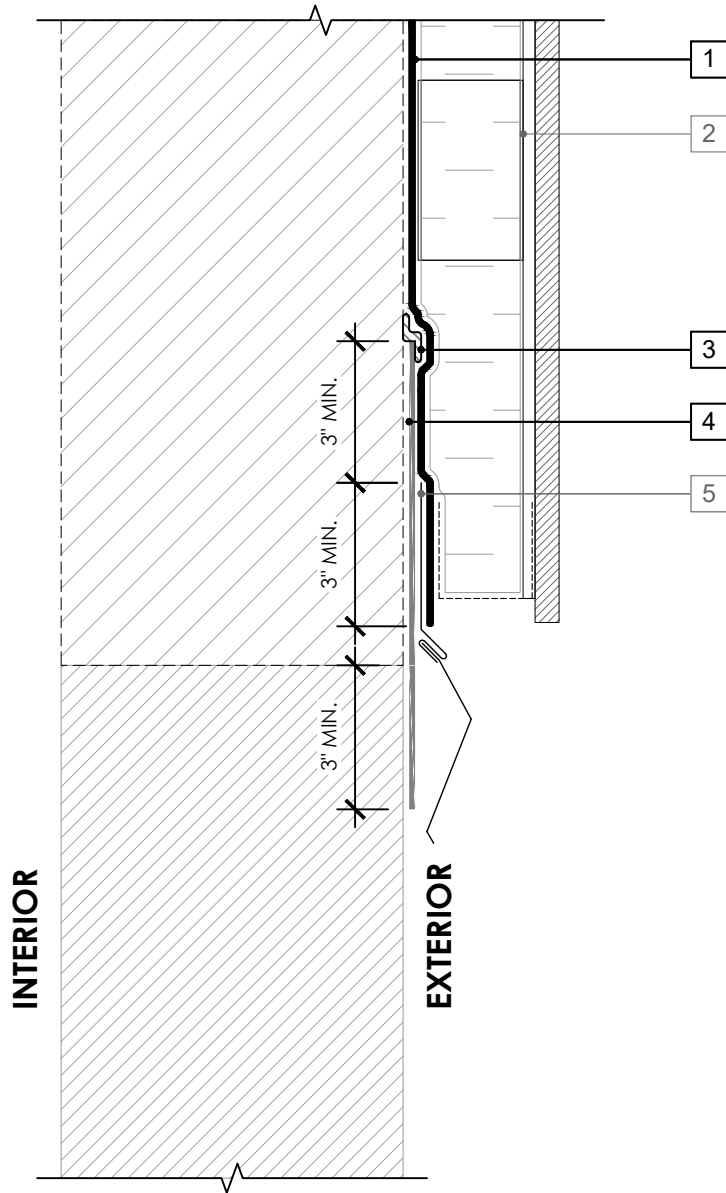
PERM-A-BARRIER® LIQUID
AIR BARRIER SYSTEM

DRAWING: PLQ-013

SCALE: 3" = 1'

EFFECTIVE DATE: 2020.05.21

SUPERCEDES: NEW



LEGEND

1. **PERM-A-BARRIER® LIQUID**
2. CLADDING ATTACHMENT - CONFIRM DETAILING REQUIREMENTS WITH THE GCPAT REPRESENTATIVE
3. **PERM-A-BARRIER® S100 SEALANT - 1-INCH WIDE TROWELED BEAD**
4. **PERM-A-BARRIER® SELF-ADHERED FLASHING* - PRIME SUBSTRATE WHERE REQUIRED**
5. TWO-PIECE SHEET METAL FLASHING PER ARCH

NOTE

- CONFIRM MAXIMUM SERVICE TEMPERATURE OF PERM-A-BARRIER PRODUCTS DIRECTLY UNDER EXPOSED METAL FLASHING

GENERAL NOTES

1. Detail not suitable for all climates. Avoiding excessive moisture accumulation in exterior walls is dependent on many factors including proper placement of insulation and water, air, and vapor control layers in the wall. Confirm membranes are suitable for project specific service temperatures. For assistance with exterior wall design, consult with a building science professional.
2. Install all GCP products in accordance with GCP Product Data Sheets and GCP recommendations.
3. GCP products are indicated in the detail legend in **BOLDFACE** font. Detail components by others are indicated in GRAY FONT. Install components per manufacturer and project specific requirements.

*Refer to air barrier system product data sheet for acceptable self-adhered flashing products.



CONCRETE STEM WALL DETAIL - NON-MASONRY CLADDING

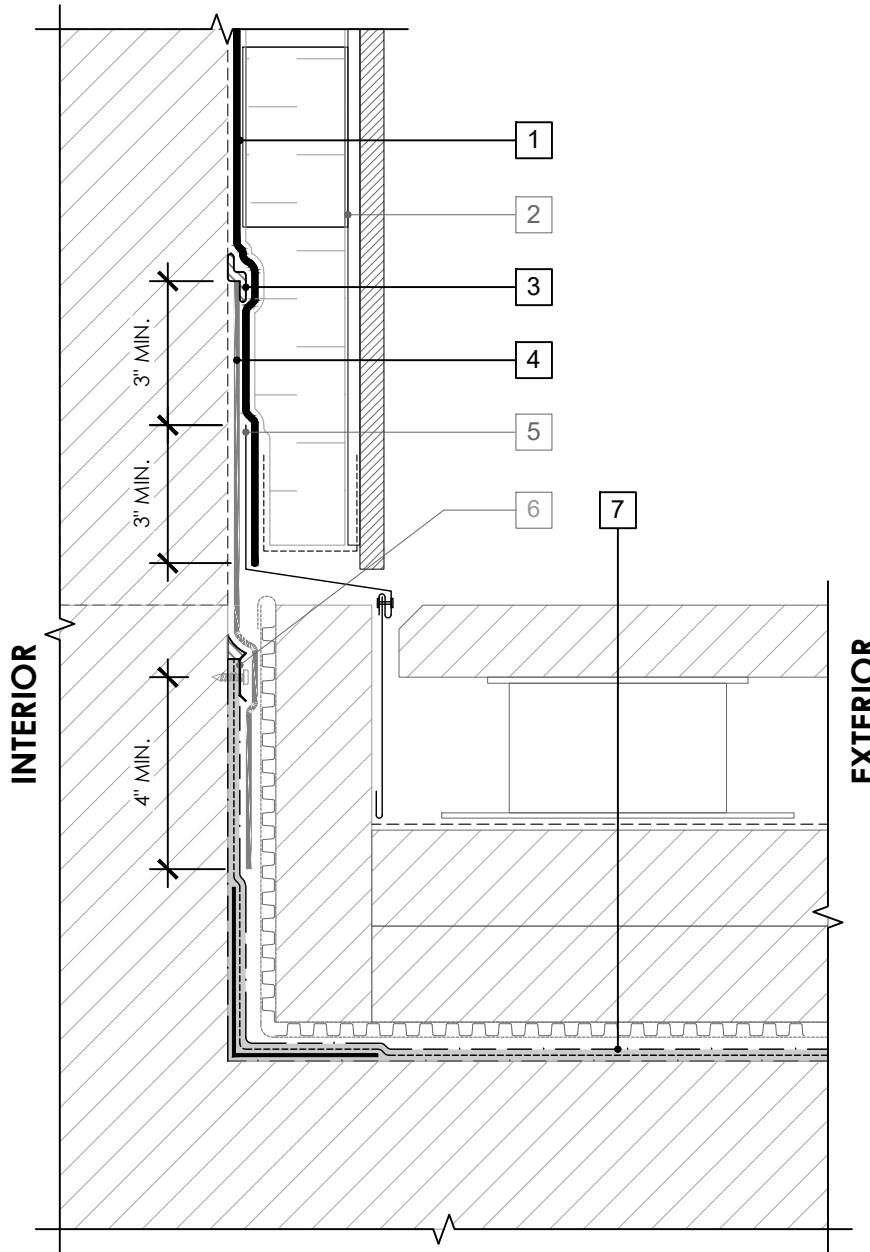
PERM-A-BARRIER® LIQUID
AIR BARRIER SYSTEM

DRAWING: PLQ-014

SCALE: 3" = 1'

EFFECTIVE DATE: 2020.05.21

SUPERCEDES: NEW



LEGEND

1. PERM-A-BARRIER® LIQUID
2. CLADDING ATTACHMENT - CONFIRM DETAILING REQUIREMENTS WITH THE GCPAT REPRESENTATIVE
3. PERM-A-BARRIER® S100 SEALANT - 1-INCH WIDE TROWELED BEAD
4. PERM-A-BARRIER® SELF-ADHERED FLASHING* - PRIME SUBSTRATE WHERE REQUIRED
5. SHEET METAL FLASHING PER ARCH
6. TERMINATION PER HORIZONTAL WATERPROOFING SYSTEM MANUFACTURER
7. HORIZONTAL WATERPROOFING SYSTEM - SEE GCPAT.COM

NOTE

- CONSULT GCP FOR HORIZONTAL WATERPROOFING COMPATIBILITY AND CONNECTION

GENERAL NOTES

1. Detail not suitable for all climates. Avoiding excessive moisture accumulation in exterior walls is dependent on many factors including proper placement of insulation and water, air, and vapor control layers in the wall. Confirm membranes are suitable for project specific service temperatures. For assistance with exterior wall design, consult with a building science professional.
2. Install all GCP products in accordance with GCP Product Data Sheets and GCP recommendations.
3. GCP products are indicated in the detail legend in **BOLDFACE** font. Detail components by others are indicated in GRAY FONT. Install components per manufacturer and project specific requirements.

*Refer to air barrier system product data sheet for acceptable self-adhered flashing products.



BASE-OF-WALL DETAIL - NON-MASONRY CLADDING

PERM-A-BARRIER® LIQUID
AIR BARRIER SYSTEM

DRAWING: PLQ-015

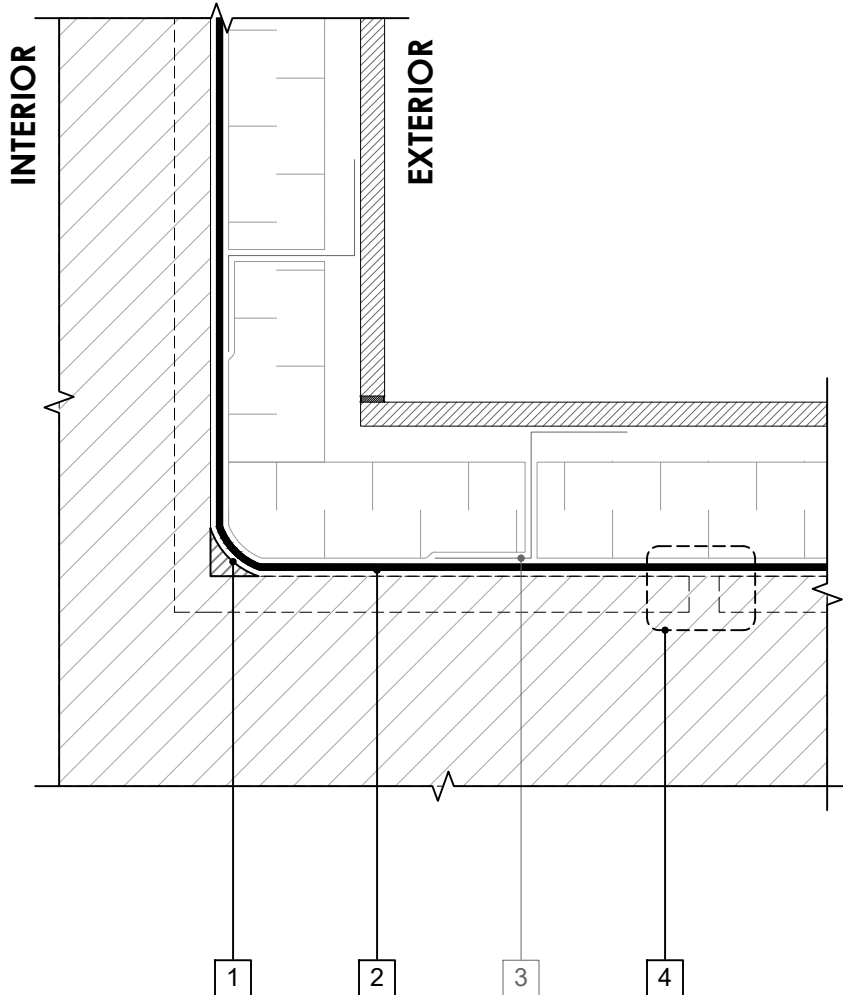
SCALE: 3" = 1'

EFFECTIVE DATE: 2020.05.21

SUPERCEDES: NEW

LEGEND

- 1. PERM-A-BARRIER® S100 SEALANT - 1-INCH WIDE TROWELED CANT BEAD**
- 2. PERM-A-BARRIER® LIQUID**
- CLADDING ATTACHMENT, DETAIL PER GCPAT REQUIREMENTS
- 4. JOINT TREATMENT PER DRAWING PLQ-009B**



NOTE

- REFER TO TL-0002, TECHNICAL LETTER 2 FOR PREPARING SHEATHING PANEL JOINTS

GENERAL NOTES

- Detail not suitable for all climates. Avoiding excessive moisture accumulation in exterior walls is dependent on many factors including proper placement of insulation and water, air, and vapor control layers in the wall. Confirm membranes are suitable for project specific service temperatures. For assistance with exterior wall design, consult with a building science professional.
- Install all GCP products in accordance with GCP Product Data Sheets and GCP recommendations.
- GCP products are indicated in the detail legend in **BOLDFACE** font. Detail components by others are indicated in GRAY FONT. Install components per manufacturer and project specific requirements.

*Refer to air barrier system product data sheet for acceptable self-adhered flashing products.



INSIDE CORNER DETAIL - NON-MASONRY CLADDING

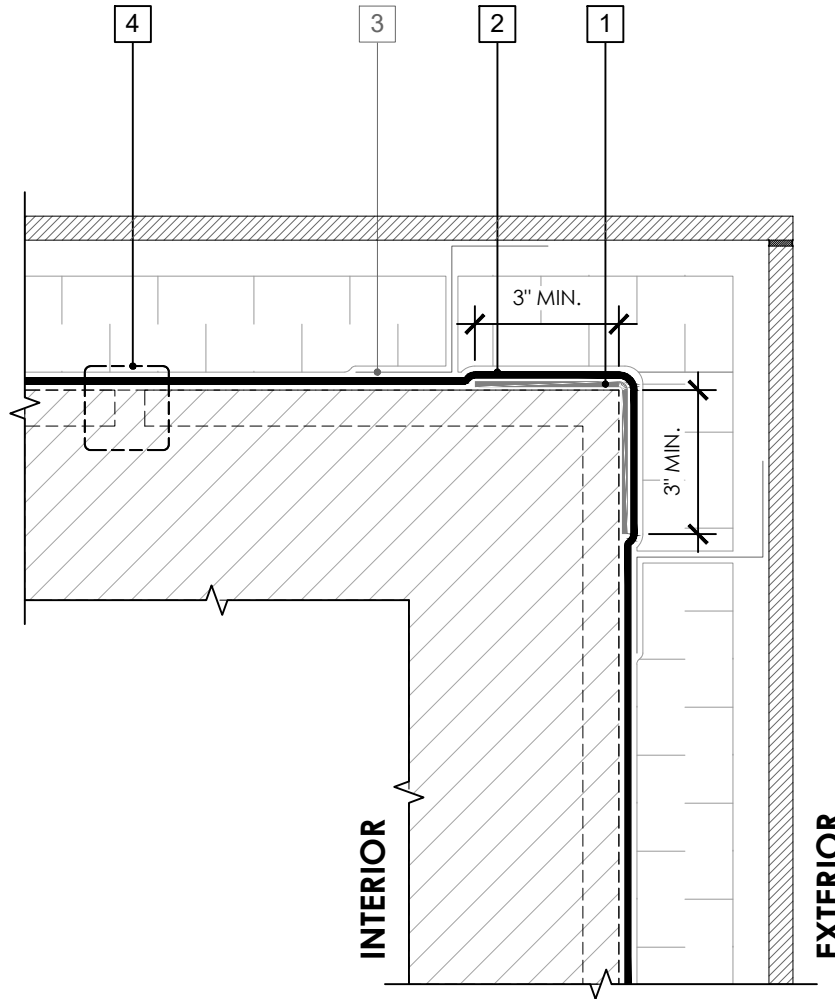
PERM-A-BARRIER® LIQUID
AIR BARRIER SYSTEM

DRAWING: PLQ-016

SCALE: 3" = 1'

EFFECTIVE DATE: 2020.05.21

SUPERCEDES: NEW



LEGEND

1. **PERM-A-BARRIER®** DETAIL MEMBRANE, NPS DETAIL MEMBRANE, ALUMINUM FLASHING, OR WALL FLASHING - PRIME SUBSTRATE WHERE REQUIRED
2. **PERM-A-BARRIER®** LIQUID
3. CLADDING ATTACHMENT, DETAIL PER GCPAT REQUIREMENTS
4. **JOINT TREATMENT PER DRAWING PLQ-009B**

NOTE

- REFER TO TL-0002, TECHNICAL LETTER 2 FOR PREPARING SHEATHING PANEL JOINTS
- AT CMU OR CAST-IN-PLACE CONCRETE CONSTRUCTION, SELF ADHERED FLASHING AT OUTSIDE CORNERS IS OPTIONAL PROVIDED SUBSTRATE ALLOWS FOR CONTINUOUS AND REQUIRED SYSTEM THICKNESS

GENERAL NOTES

1. Detail not suitable for all climates. Avoiding excessive moisture accumulation in exterior walls is dependent on many factors including proper placement of insulation and water, air, and vapor control layers in the wall. Confirm membranes are suitable for project specific service temperatures. For assistance with exterior wall design, consult with a building science professional.
2. Install all GCP products in accordance with GCP Product Data Sheets and GCP recommendations.
3. GCP products are indicated in the detail legend in **BOLDFACE** font. Detail components by others are indicated in GRAY FONT. Install components per manufacturer and project specific requirements.

*Refer to air barrier system product data sheet for acceptable self-adhered flashing products.



OUTSIDE CORNER DETAIL - NON-MASONRY CLADDING

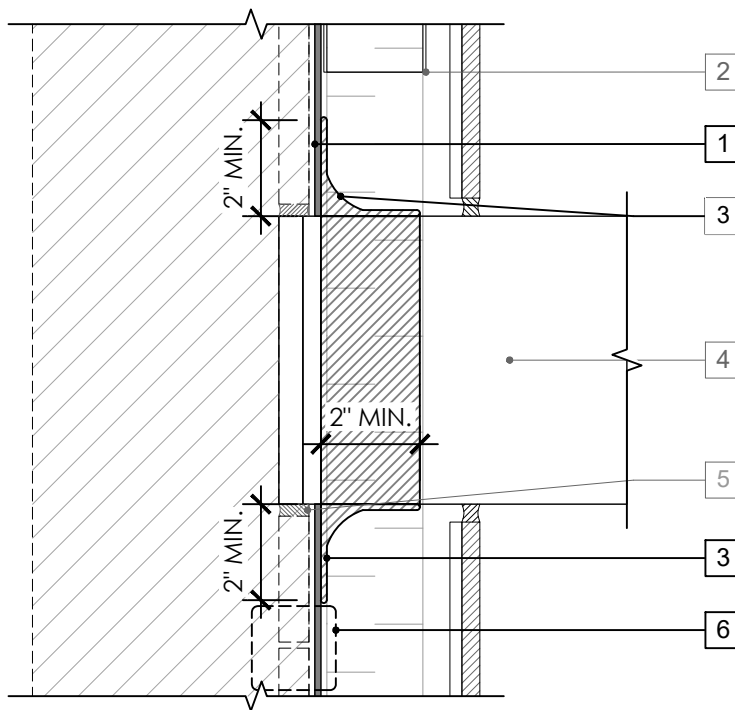
PERM-A-BARRIER® LIQUID
AIR BARRIER SYSTEM

DRAWING: PLQ-017

SCALE: 3" = 1'

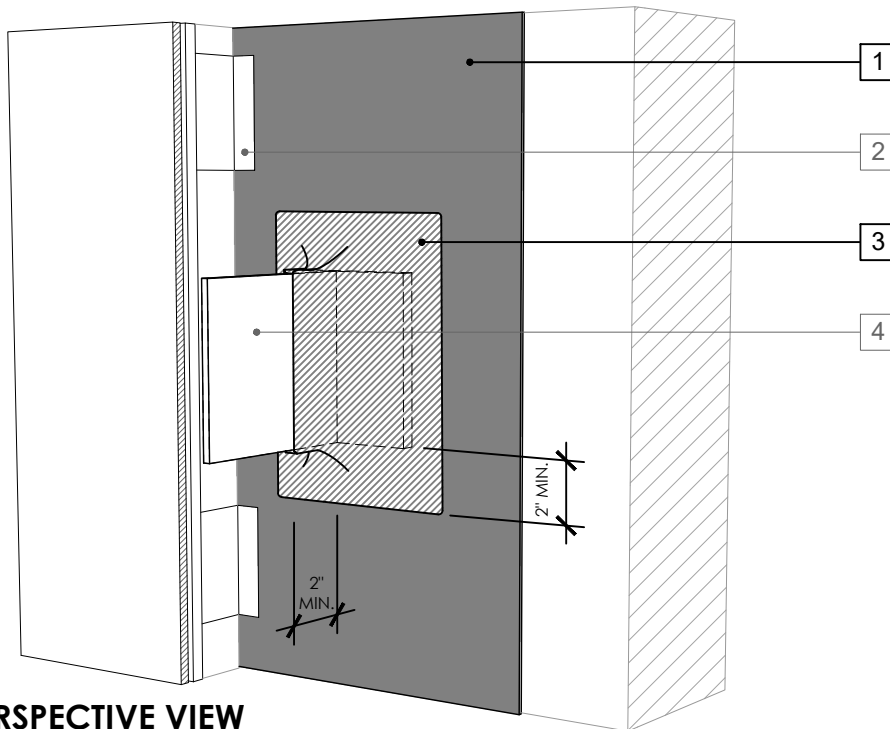
EFFECTIVE DATE: 2020.05.21

SUPERCEDES: NEW



LEGEND

1. **PERM-A-BARRIER® LIQUID**
2. CLADDING ATTACHMENT - CONFIRM DETAILING REQUIREMENTS WITH THE GCPAT REPRESENTATIVE
3. **PERM-A-BARRIER® S100 SEALANT, FLASHING AND CANT SEAL**
4. KNIFE PLATE PENETRATION
5. GCP APPROVED SEALANT OR NON-SHRINK GROUT PER BACKUP WALL TYPE
6. **JOINT TREATMENT PER DETAIL PLQ-009B**



PERSPECTIVE VIEW

GENERAL NOTES

1. Detail not suitable for all climates. Avoiding excessive moisture accumulation in exterior walls is dependent on many factors including proper placement of insulation and water, air, and vapor control layers in the wall. Confirm membranes are suitable for project specific service temperatures. For assistance with exterior wall design, consult with a building science professional.
2. Install all GCP products in accordance with GCP Product Data Sheets and GCP recommendations.
3. GCP products are indicated in the detail legend in **BOLDFACE** font. Detail components by others are indicated in GRAY FONT. Install components per manufacturer and project specific requirements.

*Refer to air barrier system product data sheet for acceptable self-adhered flashing products.



KNIFEPLATE PENETRATION DETAIL - NON-MASONRY CLADDING

PERM-A-BARRIER® LIQUID
AIR BARRIER SYSTEM

DRAWING: PLQ-018

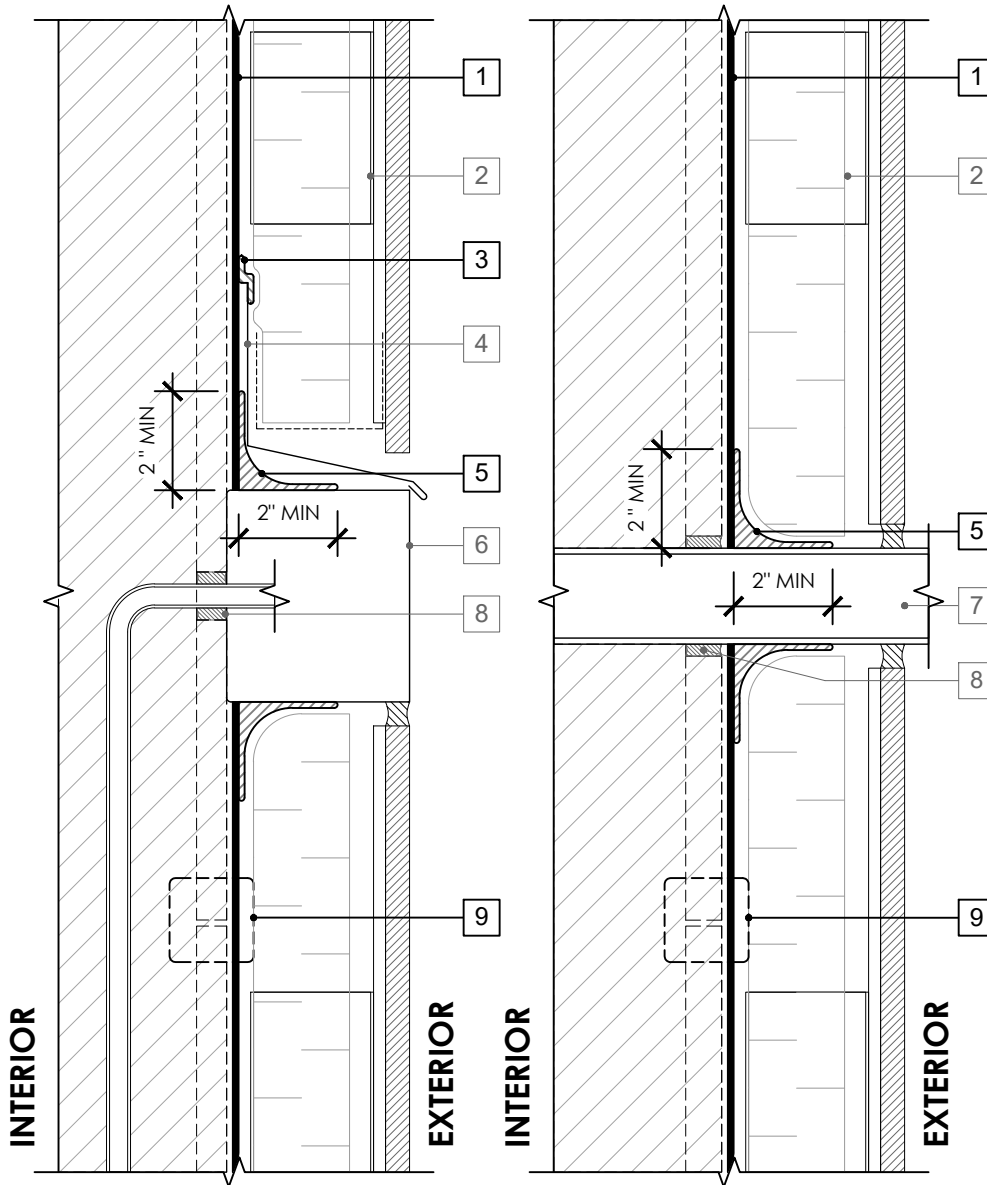
SCALE: 3" = 1'

EFFECTIVE DATE: 2020.05.21

SUPERCEDES: NEW

LEGEND

1. PERM-A-BARRIER® LIQUID
2. CLADDING ATTACHMENT - CONFIRM DETAILING REQUIREMENTS WITH THE GCPAT REPRESENTATIVE
3. PERM-A-BARRIER® S100 SEALANT - 1-INCH WIDE TROWELED BEAD
4. SHEET METAL FLASHING PER ARCH
5. PERM-A-BARRIER® S100 SEALANT, FLASHING AND CANT SEAL
6. AIR AND WATER TIGHT BOX PENETRATION
7. AIR AND WATER TIGHT PIPE AND PENETRATION
8. GCP APPROVED SEALANT OR NON-SHRINK GROUT PER BACKUP WALL TYPE
9. JOINT TREATMENT PER DETAIL PLQ-009B



GENERAL NOTES

1. Detail not suitable for all climates. Avoiding excessive moisture accumulation in exterior walls is dependent on many factors including proper placement of insulation and water, air, and vapor control layers in the wall. Confirm membranes are suitable for project specific service temperatures. For assistance with exterior wall design, consult with a building science professional.
2. Install all GCP products in accordance with GCP Product Data Sheets and GCP recommendations.
3. GCP products are indicated in the detail legend in **BOLDFACE** font. Detail components by others are indicated in GRAY FONT. Install components per manufacturer and project specific requirements.

*Refer to air barrier system product data sheet for acceptable self-adhered flashing products.



PENETRATION DETAILS - NON-MASONRY CLADDING

PERM-A-BARRIER® LIQUID
AIR BARRIER SYSTEM

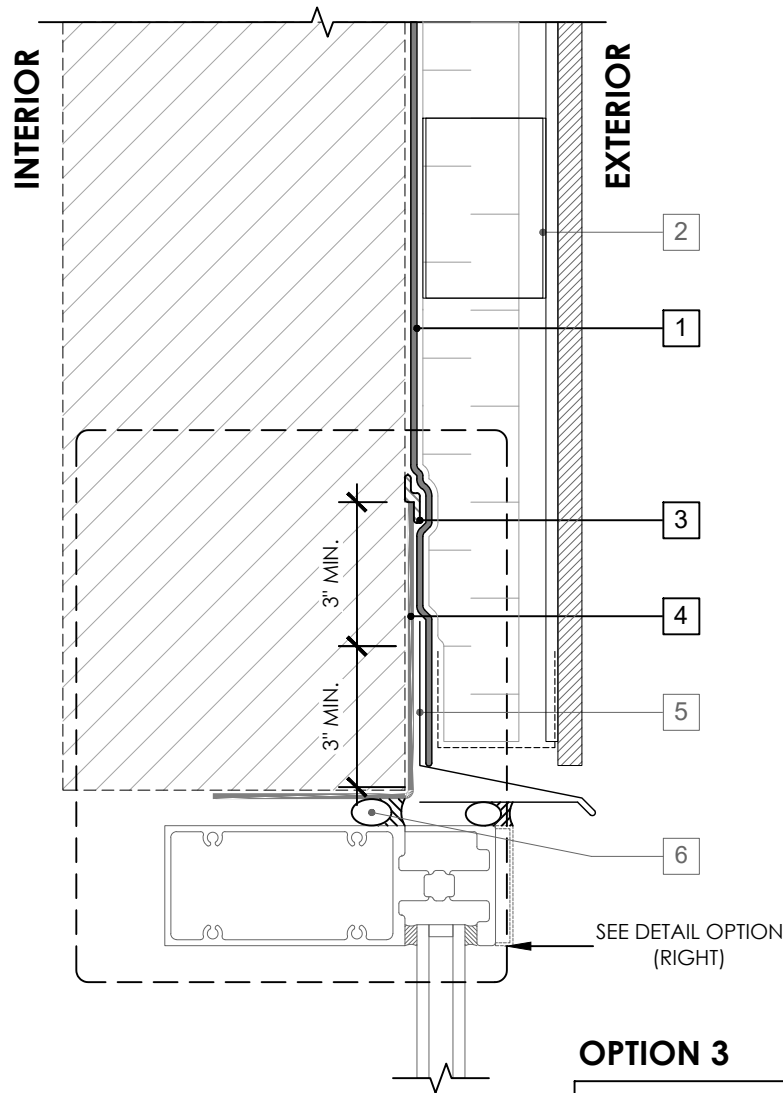
DRAWING: PLQ-019

SCALE: 3" = 1'

EFFECTIVE DATE: 2020.05.21

SUPERCEDES: NEW

OPTION 1



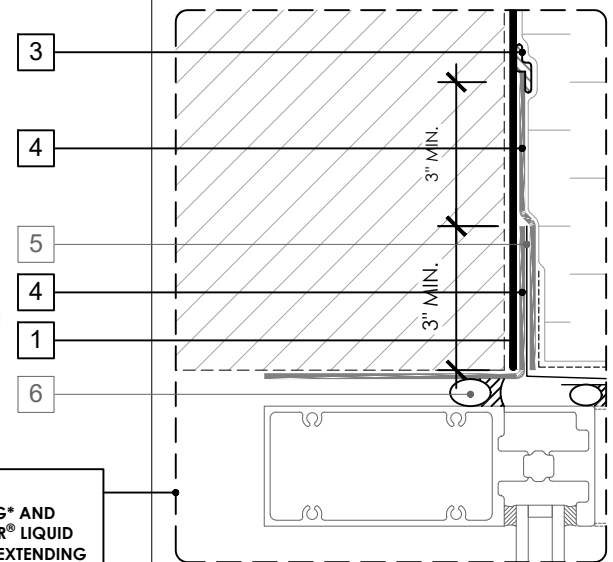
OPTION 3

OMIT PERM-A-BARRIER® SELF-ADHERED FLASHING* AND EXTEND PERM-A-BARRIER® LIQUID INTO ROUGH OPENING EXTENDING TO LINE OF AIR BARRIER SEAL

LEGEND

1. **PERM-A-BARRIER® LIQUID**
2. CLADDING ATTACHMENT - CONFIRM DETAILING REQUIREMENTS WITH THE GCPAT REPRESENTATIVE
3. **PERM-A-BARRIER® S100 SEALANT - 1-INCH WIDE TROWELED BEAD**
4. **PERM-A-BARRIER® SELF-ADHERED FLASHING* - PRIME SUBSTRATE WHERE REQUIRED**
5. SHEET METAL FLASHING PER ARCH
6. INTERIOR AIR SEALANT OVER BACKER ROD

OPTION 2



GENERAL NOTES

1. Detail not suitable for all climates. Avoiding excessive moisture accumulation in exterior walls is dependent on many factors including proper placement of insulation and water, air, and vapor control layers in the wall. Confirm membranes are suitable for project specific service temperatures. For assistance with exterior wall design, consult with a building science professional.
2. Install all GCP products in accordance with GCP Product Data Sheets and GCP recommendations.
3. GCP products are indicated in the detail legend in **BOLDFACE** font. Detail components by others are indicated in GRAY FONT. Install components per manufacturer and project specific requirements.

*Refer to air barrier system product data sheet for acceptable self-adhered flashing products.



CURTAINWALL HEAD DETAIL - NON-MASONRY CLADDING

PERM-A-BARRIER® LIQUID AIR BARRIER SYSTEM

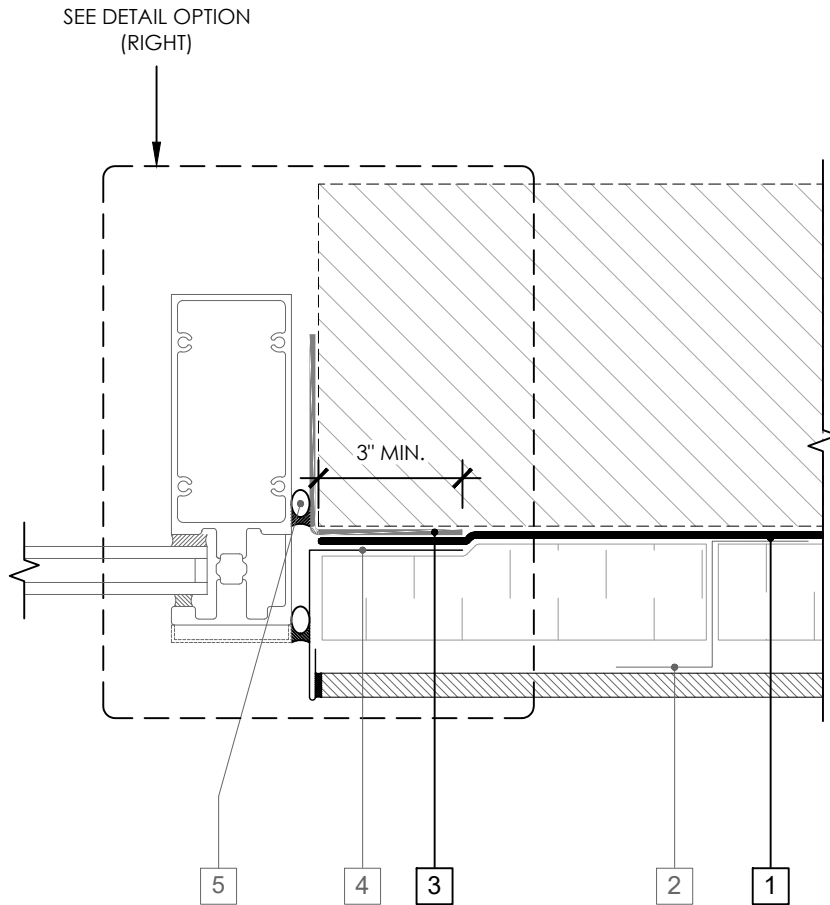
DRAWING: PLQ-020

SCALE: 3" = 1'

EFFECTIVE DATE: 2020.05.21

SUPERCEDES: NEW

OPTION 1



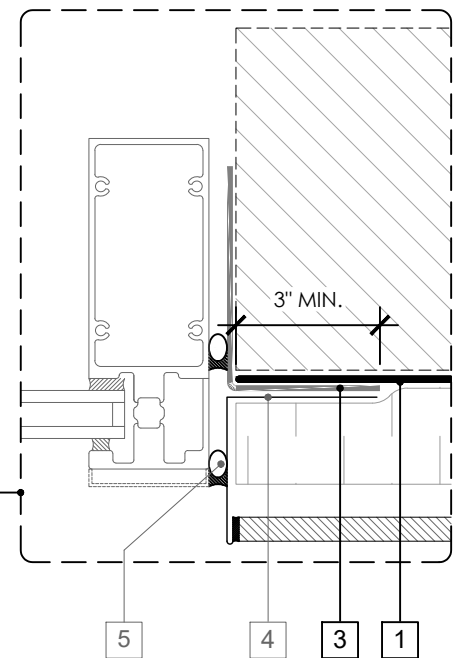
OPTION 3

OMIT PERM-A-BARRIER® SELF-ADHERED FLASHING* AND EXTEND PERM-A-BARRIER® LIQUID INTO ROUGH OPENING EXTENDING TO LINE OF AIR BARRIER SEAL

LEGEND

1. **PERM-A-BARRIER® LIQUID**
2. CLADDING ATTACHMENT - CONFIRM DETAILING REQUIREMENTS WITH THE GCPAT REPRESENTATIVE
3. **PERM-A-BARRIER® SELF-ADHERED FLASHING* - PRIME SUBSTRATE WHERE REQUIRED**
4. SHEET METAL FLASHING PER ARCH
5. INTERIOR AIR SEALANT OVER BACKER ROD

OPTION 2



GENERAL NOTES

1. Detail not suitable for all climates. Avoiding excessive moisture accumulation in exterior walls is dependent on many factors including proper placement of insulation and water, air, and vapor control layers in the wall. Confirm membranes are suitable for project specific service temperatures. For assistance with exterior wall design, consult with a building science professional.
2. Install all GCP products in accordance with GCP Product Data Sheets and GCP recommendations.
3. GCP products are indicated in the detail legend in **BOLDFACE** font. Detail components by others are indicated in GRAY FONT. Install components per manufacturer and project specific requirements.

*Refer to air barrier system product data sheet for acceptable self-adhered flashing products.

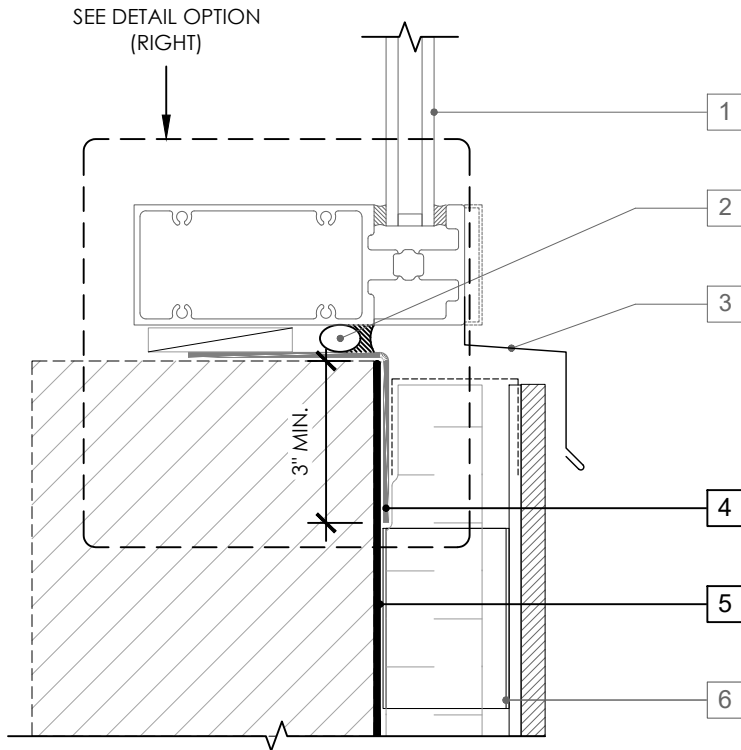


CURTAINWALL JAMB DETAIL - NON-MASONRY CLADDING

PERM-A-BARRIER® LIQUID AIR BARRIER SYSTEM

DRAWING:	PLQ-021
SCALE:	3" = 1'
EFFECTIVE DATE:	2020.05.21
SUPERCEDES:	NEW

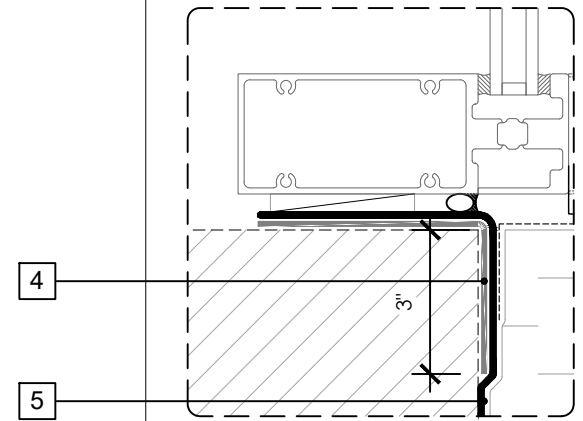
OPTION 1



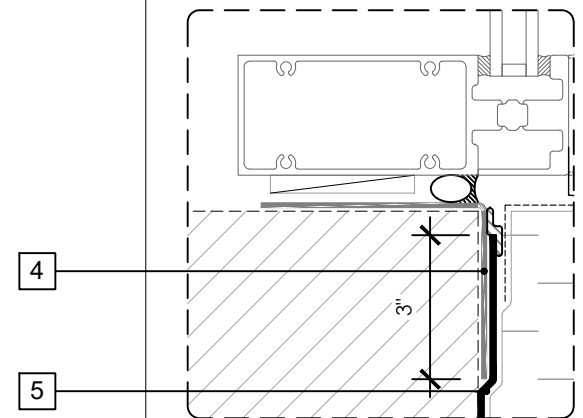
LEGEND

1. CURTAINWALL SILL
2. INTERIOR AIR SEALANT OVER BACKER ROD
3. SHEET METAL FLASHING
- 4. PERM-A-BARRIER® SELF-ADHERED FLASHING* - PRIME SUBSTRATE WHERE REQUIRED**
- 5. PERM-A-BARRIER® LIQUID**
6. CLADDING ATTACHMENT - CONFIRM DETAILING REQUIREMENTS WITH THE GCPAT REPRESENTATIVE

OPTION 2



OPTION 3



GENERAL NOTES

1. Detail not suitable for all climates. Avoiding excessive moisture accumulation in exterior walls is dependent on many factors including proper placement of insulation and water, air, and vapor control layers in the wall. Confirm membranes are suitable for project specific service temperatures. For assistance with exterior wall design, consult with a building science professional.
2. Install all GCP products in accordance with GCP Product Data Sheets and GCP recommendations.
3. GCP products are indicated in the detail legend in **BOLDFACE** font. Detail components by others are indicated in GRAY FONT. Install components per manufacturer and project specific requirements.

*Refer to air barrier system product data sheet for acceptable self-adhered flashing products.



CURTAINWALL SILL DETAIL - NON-MASONRY CLADDING

PERM-A-BARRIER® LIQUID AIR BARRIER SYSTEM

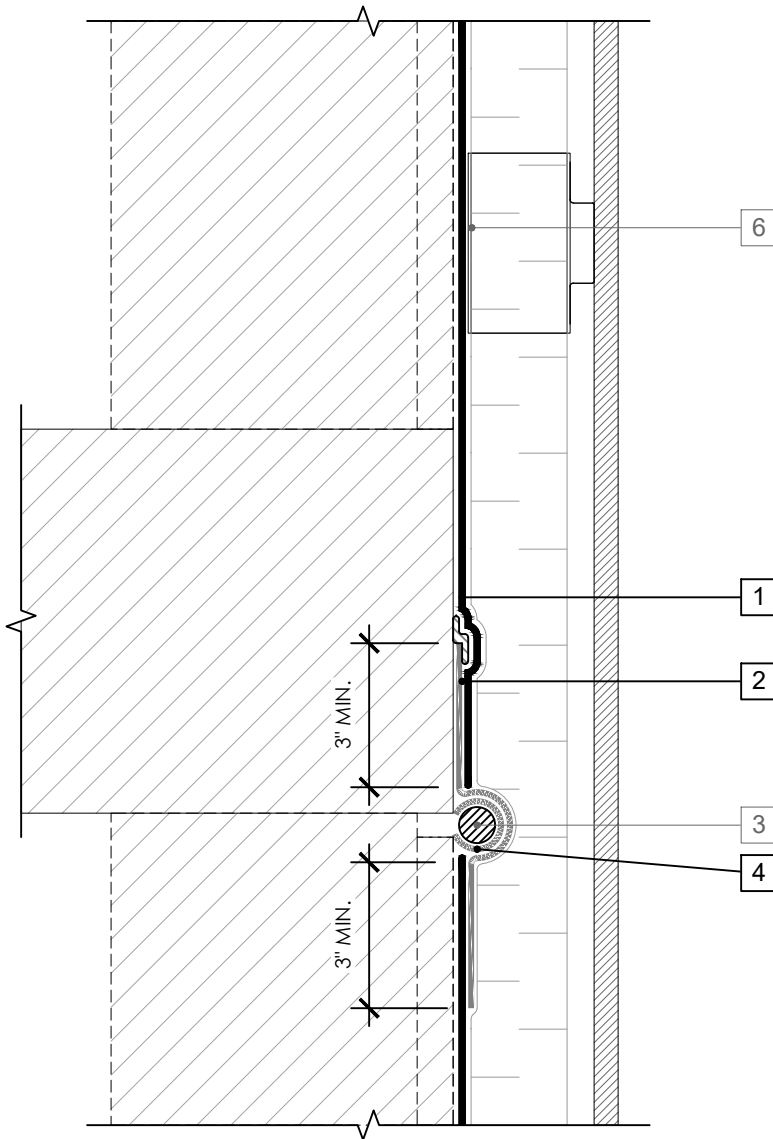
DRAWING: PLQ-022

SCALE: 3" = 1'

EFFECTIVE DATE: 2020.05.21

SUPERCEDES: NEW

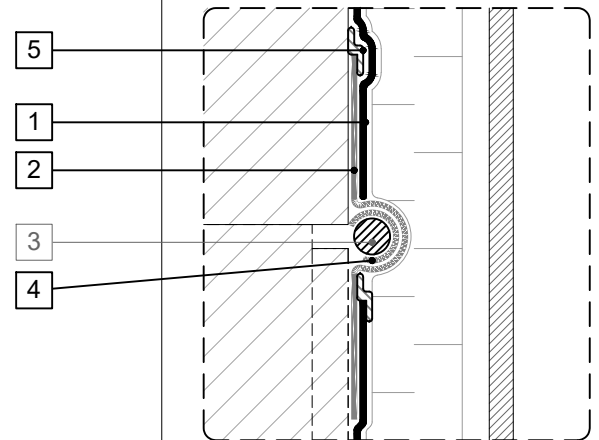
OPTION 1



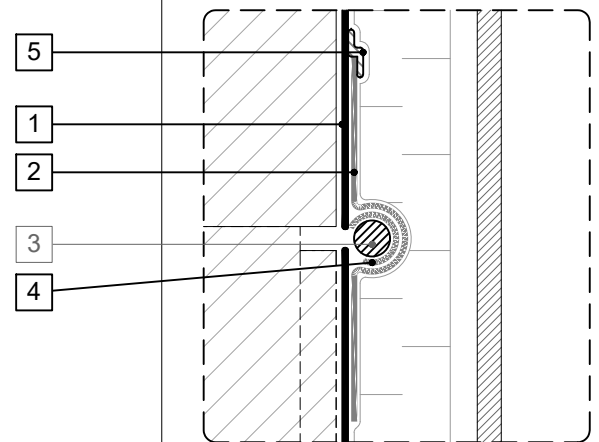
LEGEND

1. **PERM-A-BARRIER® LIQUID**
2. **PERM-A-BARRIER® SELF-ADHERED FLASHING***
3. MINIMUM 3/4" BACKER ROD
4. **PERM-A-BARRIER DETAIL MEMBRANE INVERTED STRIP SUFFICIENT IN SIZE TO COVER BACKER ROD**
5. **PERM-A-BARRIER® S100 SEALANT - 1-INCH WIDE TROWELED BEAD**
6. CLADDING ATTACHMENT, CONFIRM DETAILING REQUIREMENTS WITH THE GCPAT REPRESENTATIVE

OPTION 2



OPTION 3



GENERAL NOTES

1. Detail not suitable for all climates. Avoiding excessive moisture accumulation in exterior walls is dependent on many factors including proper placement of insulation and water, air, and vapor control layers in the wall. Confirm membranes are suitable for project specific service temperatures. For assistance with exterior wall design, consult with a building science professional.
2. Install all GCP products in accordance with GCP Product Data Sheets and GCP recommendations.
3. GCP products are indicated in the detail legend in **BOLDFACE** font. Detail components by others are indicated in **GRAY FONT**. Install components per manufacturer and project specific requirements.

*Refer to air barrier system product data sheet for acceptable self-adhered flashing products.



DEFLECTION JOINT

PERM-A-BARRIER® LIQUID
AIR BARRIER SYSTEM

DRAWING: PLQ-023

SCALE: 3" = 1'

EFFECTIVE DATE: 2020.05.21

SUPERCEDES: NEW