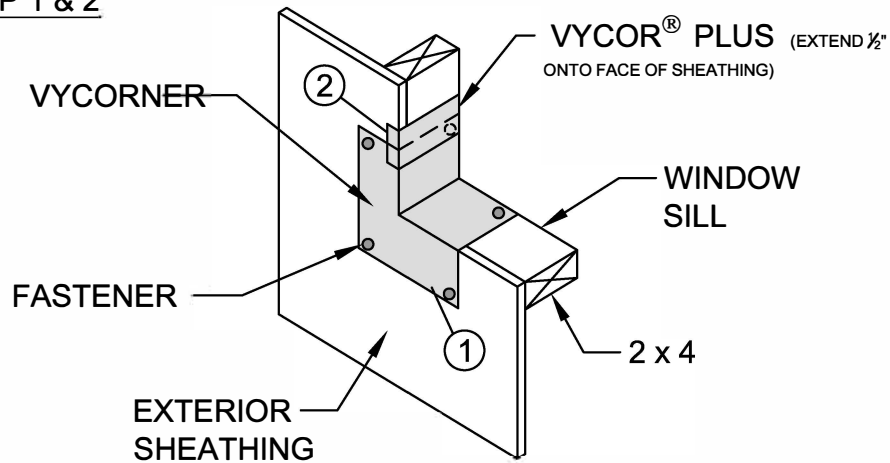
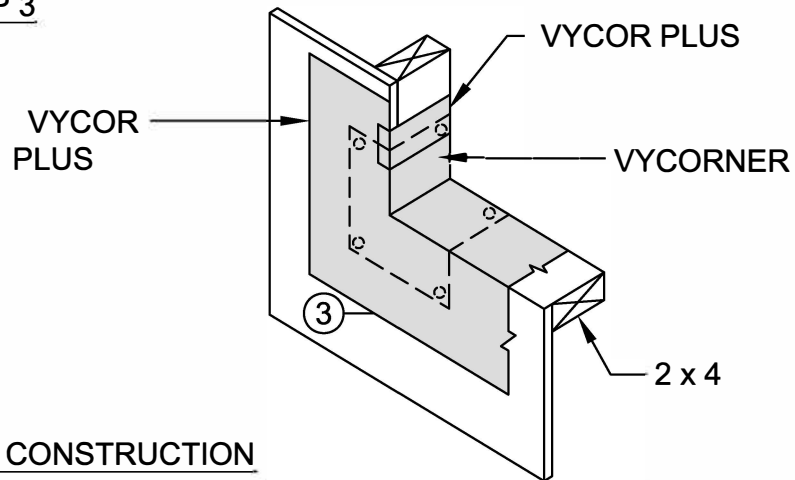


STEP 1 & 2

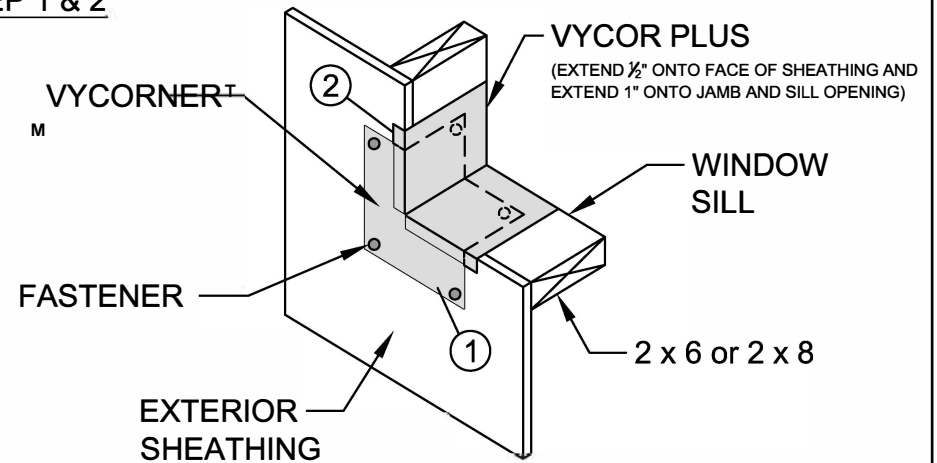


STEP 3

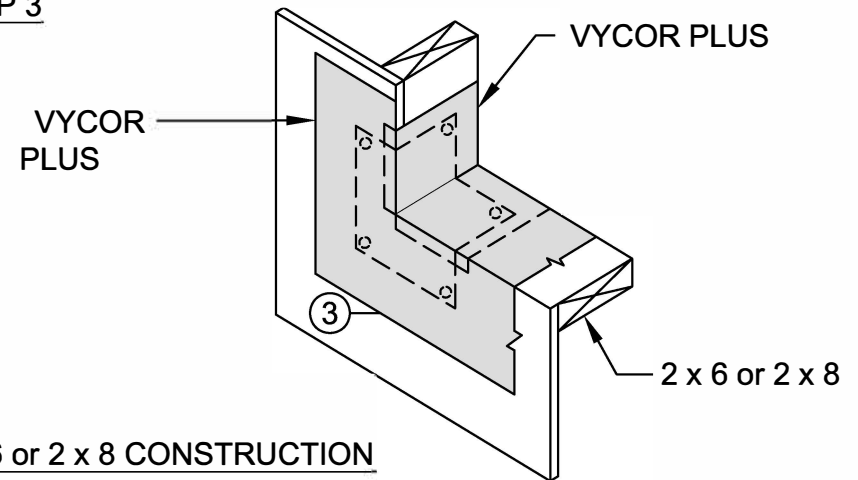


2 x 4 CONSTRUCTION

STEP 1 & 2



STEP 3



2 x 6 or 2 x 8 CONSTRUCTION

NOTES:

- A. VISIT GCPAT.COM FOR THE MOST CURRENT DETAILS, INSTALLATION VIDEO AND PRODUCT INFORMATION SHEETS
- B. INSTALL IN ORDER AS SHOWN BY NUMBERS
- C. MECHANICALLY FASTEN THE VYCORNER IN CORNERS AS NECESSARY WITH NAILS OR STAPLES
- D. CHECK LOCAL BUILDING CODES FOR WEATHER RESISTIVE BARRIER REQUIREMENTS AND INSTALL VYCOR PLUS WITH VYCOR enV TO FORM WATER-SHEDDING LAPS
- E. INSTALL VYCOR FLASHING AT WINDOW (SEE VCRDET-100 TO 111)
- F. INSTALL VYCORNER AT BOTH CORNERS OF WINDOW SILL
- G. DETAIL ALSO RELEVANT FOR ALL VYCOR FLASHINGS

INSTALLATION BEFORE WEATHER RESISTIVE BARRIER

VYCORNER™ PREFABRICATED CORNERS FOR WINDOWS AND DOORS

Drawing: VCRDET-507

Scale: Not To scale

Effective Date: 04/01/09

Supersedes: 01/31/07

