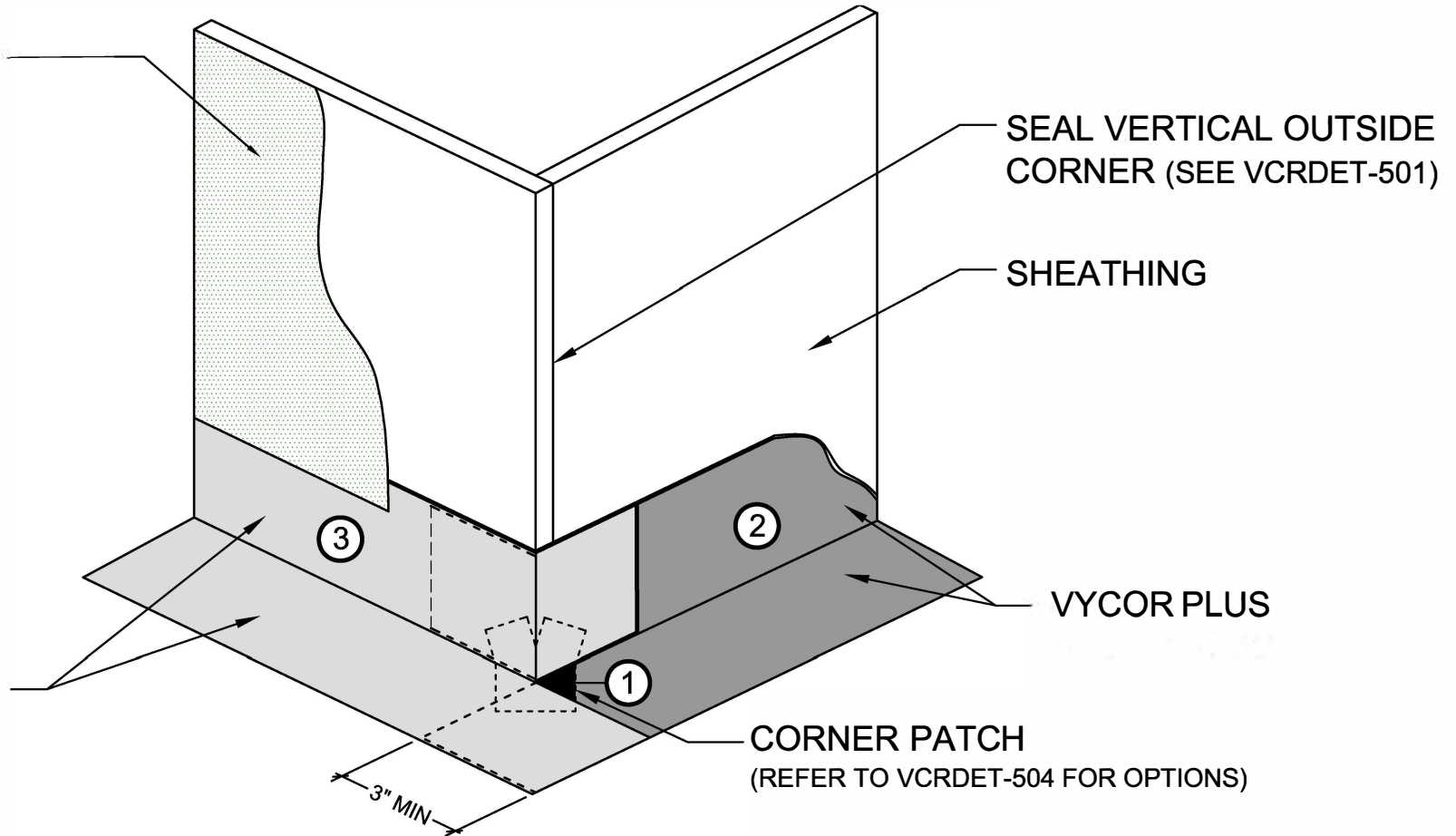


VYCOR® enV™  
(SEE NOTE G)

VYCOR PLUS



NOTES:

- A. VISIT [GCPAT.COM](http://GCPAT.COM) FOR THE MOST CURRENT DETAILS, INSTALLATION VIDEO AND PRODUCT DATA SHEETS
- B. RIPCORD® CAN BE REMOVED FROM VYCOR PLUS FOR EASE OF INSTALLATION
- C. INSTALL VYCOR PLUS IN ORDER AS SHOWN BY NUMBERS
- D. MECHANICALLY FASTEN AS NECESSARY
- E. INSTALL VYCOR PLUS AND VYCOR enV TO FORM WATER-SHEDDING LAPS
- F. DETAIL ALSO RELEVANT FOR ALL VYCOR FLASHINGS
- G. REFER TO LOCAL BUILDING CODE REQUIRMENTS FOR WEATHER REISTIVE BARRIER



## OUTSIDE CORNER

### VYCOR® PLUS SELF-ADHERED FLASHING

Drawing: VCRDET-500

Scale: Not to scale

Effective Date: 04/01/09

Supersedes: 01/31/07