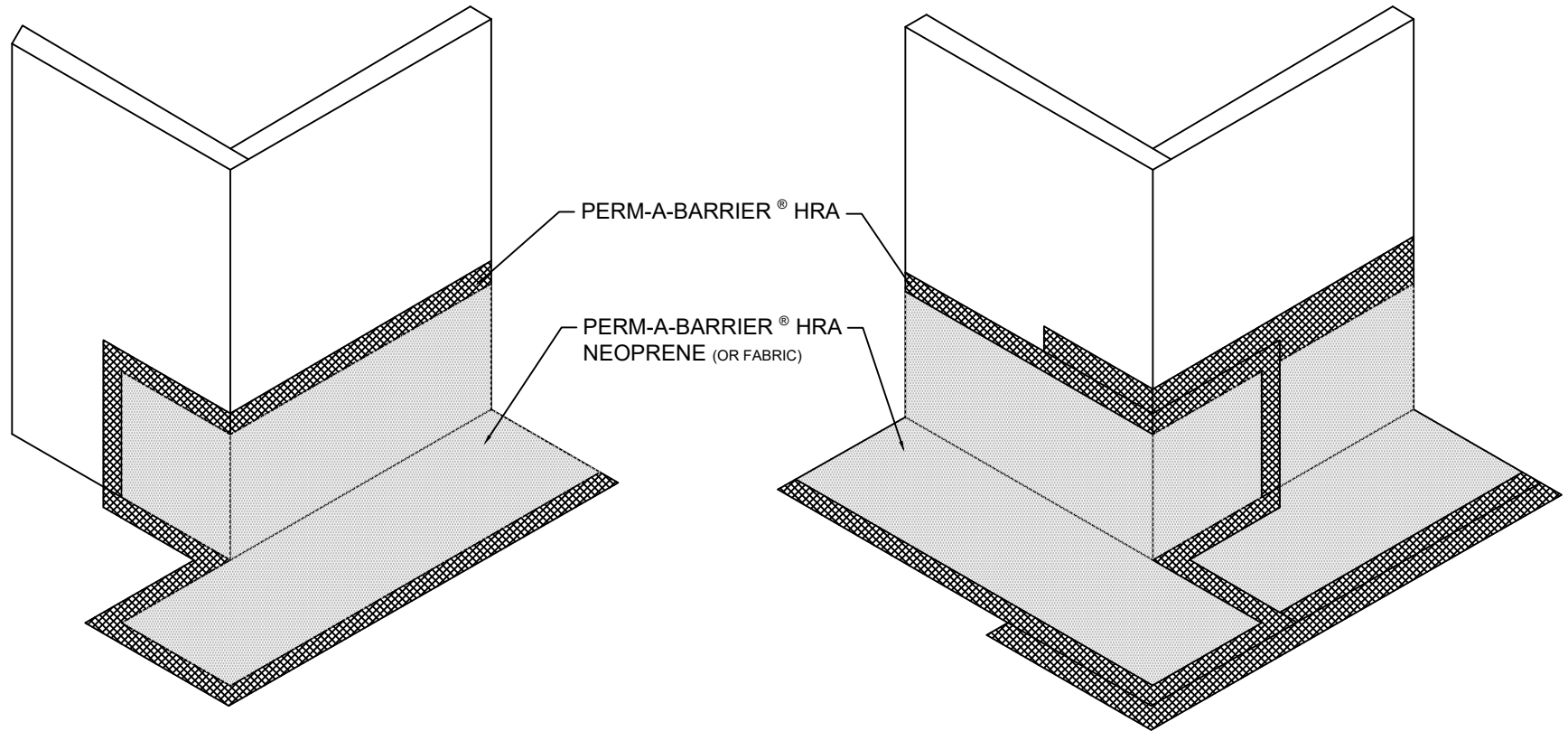


STEP 1

STEP 2



OUTSIDE CORNER
PERM-A-BARRIER® HRA WATERPROOFING SYSTEM

DRAWING: HRA-011

SCALE: NOT TO SCALE

EFFECTIVE DATE: 07-01-2024

SUPERCEDES: N/A