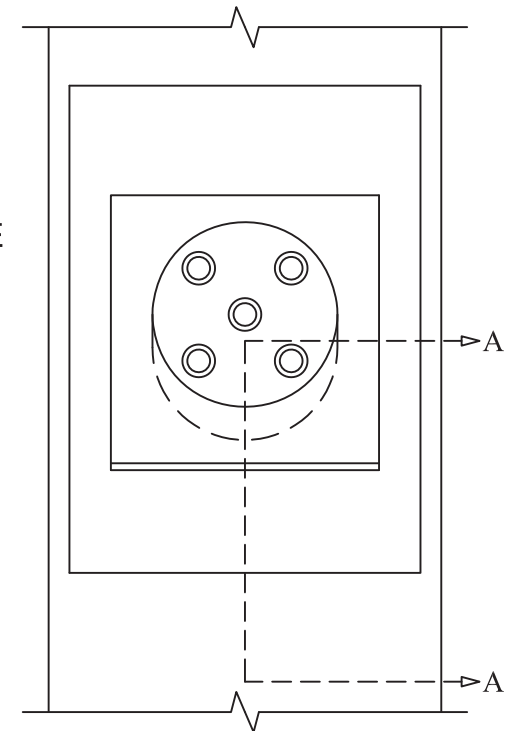


**SECTION A-A
WITH WATERPROOFING**



**TIEBACK ASSEMBLY
AT SOLDIER PILES**

- NOTES:
- A) SECURE TIEBACK COVER WITH APPROVED FASTENERS
 - B) LOCATE INJECTION PORT ASSEMBLIES (NOT SHOWN) AS PER GCP STANDARD PORT LAYOUT
 - C) LOCATE DEDICATED INJECTION PORT CENTERED 6 in. ABOVE CUSTOM TIEBACK BOX
 - D) IF HYDRODUCT® IS USED AS PART OF THE ACTIVE DRAINAGE SYSTEM, 6 MIL, 1.5 mm POLY IS REQUIRED BETWEEN THE HYDRODUCT AND THE PREPRUFE SCS MEMBRANE



**CUSTOM TIEBACK BOX COVER
PREPRUFE® SCS
WATERPROOFING SYSTEM FOR SHOTCRETE**

DRAWING: SCS 021

SCALE: Not to scale

EFFECTIVE DATE: 08/01/2016

SUPERSEDES: 03172014