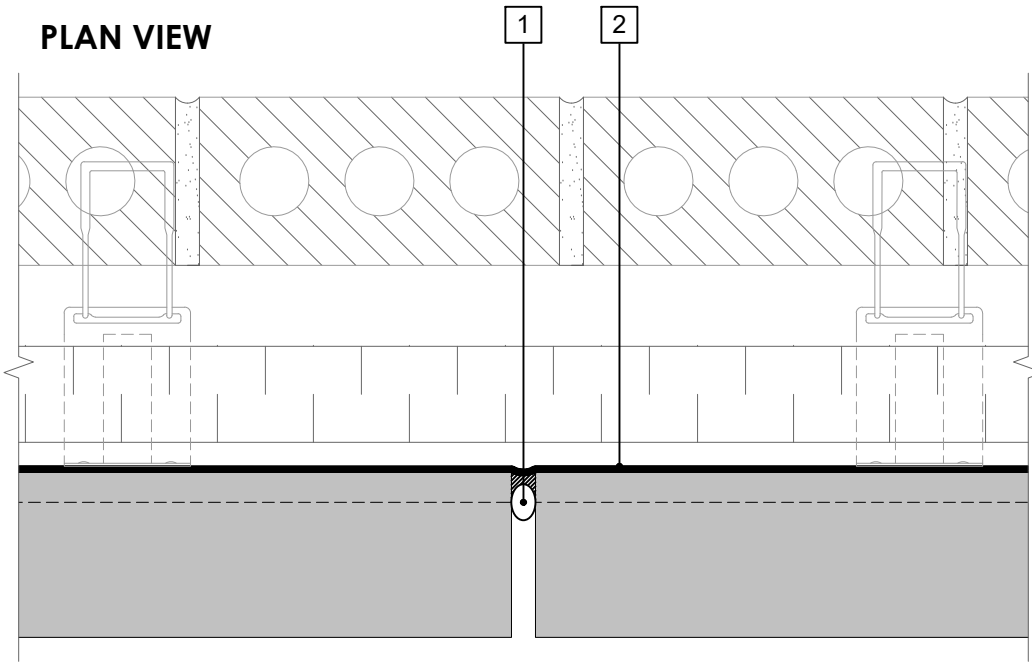


PLAN VIEW

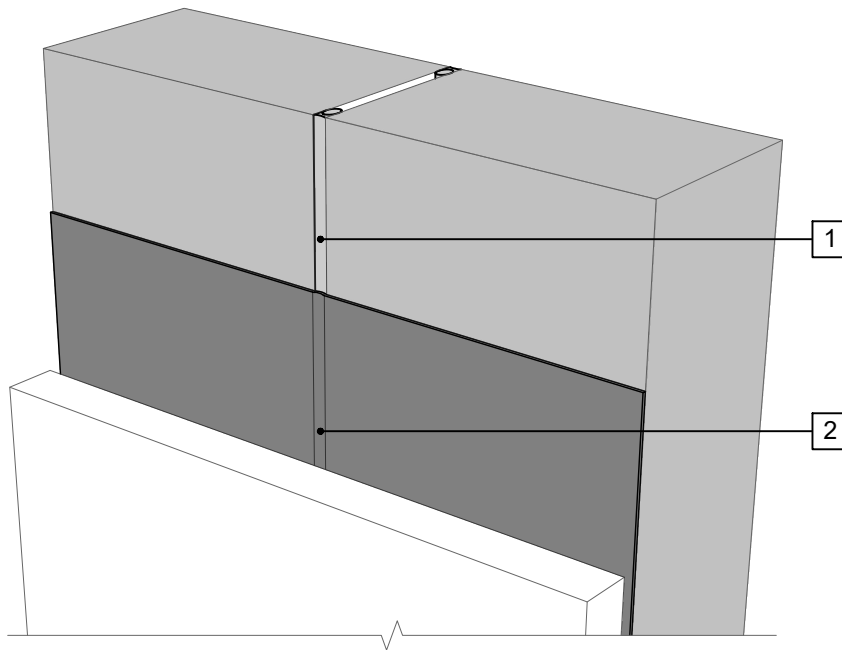


LEGEND

- 1. **BACKER ROD AND COMPATIBLE SEALANT**
- 2. **PERM-A-BARRIER® ALUMINUM WALL MEMBRANE**

NOTE

- MAX 1/2-INCH JOINT CAPABLE OF MAXIMUM 10% MOVEMENT IN COMPRESSION AND ELONGATION



PERSPECTIVE VIEW

GENERAL NOTES

1. Detail not suitable for all climates. Avoiding excessive moisture accumulation in exterior walls is dependent on many factors including proper placement of insulation and water, air, and vapor control layers in the wall. Confirm membranes are suitable for project specific service temperatures. For assistance with exterior wall design, consult with a building science professional.
2. Install all GCP products in accordance with GCP Product Data Sheets and GCP recommendations.
3. GCP products are indicated in the detail legend in **BOLDFACE** font. Detail components by others are indicated in GRAY FONT. Install components per manufacturer and project specific requirements.

Refer to air barrier system product data sheet for acceptable SELF-ADHERED FLASHING products.



**CONTROL JOINT DETAIL -
MASONRY CLADDING**

**PERM-A-BARRIER®
ALUMINUM WALL
MEMBRANE**

DRAWING:	AWM-009
SCALE:	3" = 1'
EFFECTIVE DATE:	2020.05.21
SUPERCEDES:	NEW