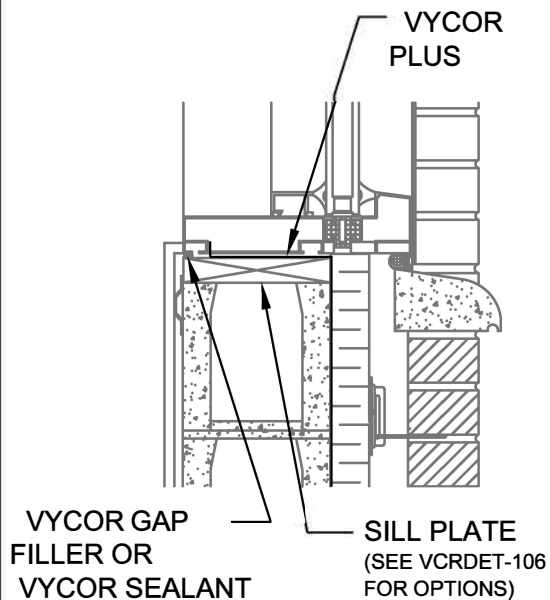
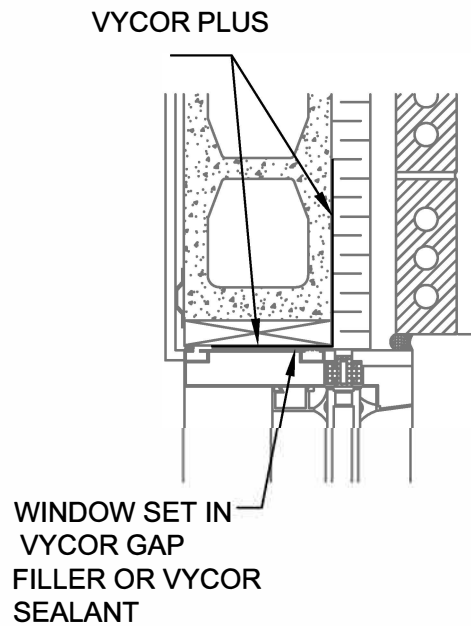


### WINDOW SILL



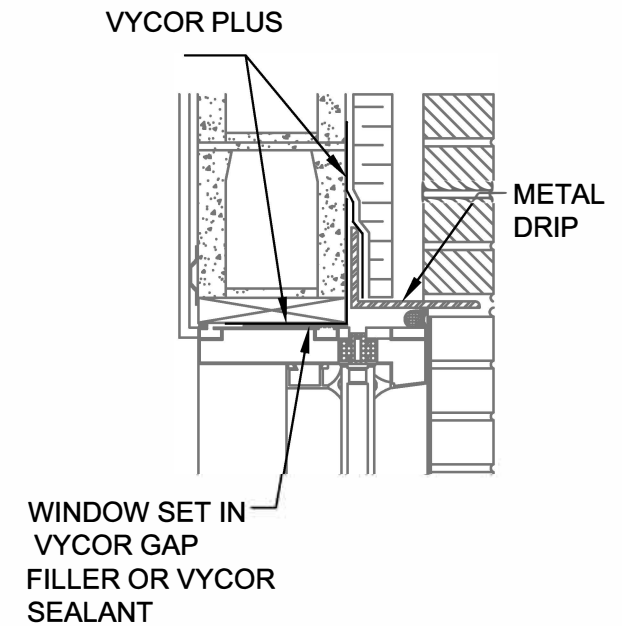
SECTION VIEW

### WINDOW JAMB



PLAN VIEW

### WINDOW HEADER



SECTION VIEW

NOTES:

- A. VISIT [GCPAT.COM](http://GCPAT.COM) FOR THE MOST CURRENT DETAILS, INSTALLATION VIDEO AND PRODUCT DATA SHEETS
- B. REMOVE [RIPCORD®](#) FROM VYCOR PLUS FOR EASE OF INSTALLATION
- C. IF APPLICABLE, LEAVE RELEASE PAPER ON LOWER HALF OF SILL FLASHING UNTIL FUTURE TIE-IN WITH WEATHER RESISTIVE BARRIER
- D. CHECK LOCAL BUILDING CODES FOR WEATHER RESISTIVE BARRIER REQUIREMENTS AND INSTALL VYCOR PLUS WITH WEATHER RESISTIVE BARRIER TO FORM WATER-SHEDDING LAPS
- E. INSTALL AND SECURE WINDOW PER MANUFACTURER'S RECOMMENDATION
- F. FOR CONCRETE, MASONRY OR WHERE ADHESION IS MARGINAL, USE [PERM-A-BARRIER®](#) WB PRIMER TO PROMOTE VYCOR ADHESION
- G. DETAIL ALSO RELEVANT FOR VYCOR V40 AND VYCOR BUTYL



## WINDOW WITHOUT NAILING FLANGE

### CONCRETE AND MASONRY CONSTRUCTION

### VYCOR® PLUS SELF-ADHERED FLASHING

Drawing: VCRDET-110

Scale: Not to scale

Effective Date: 01/31/07

Supersedes: 09/01/05