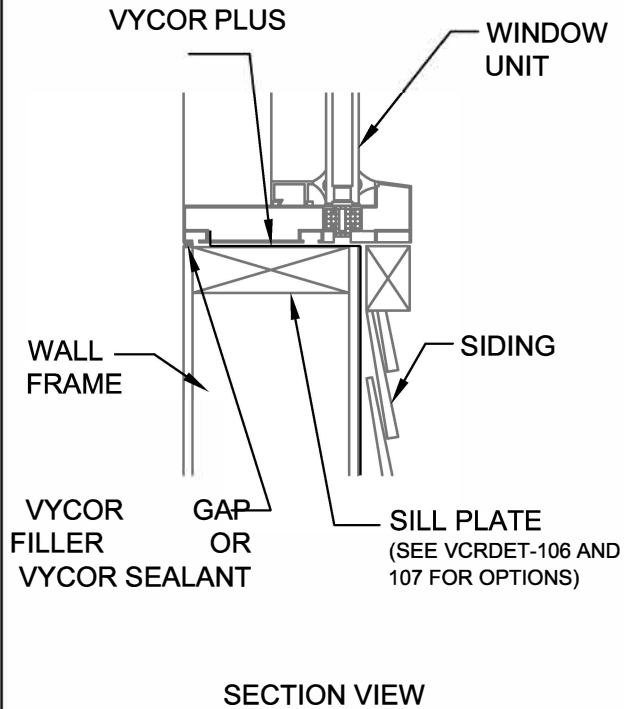
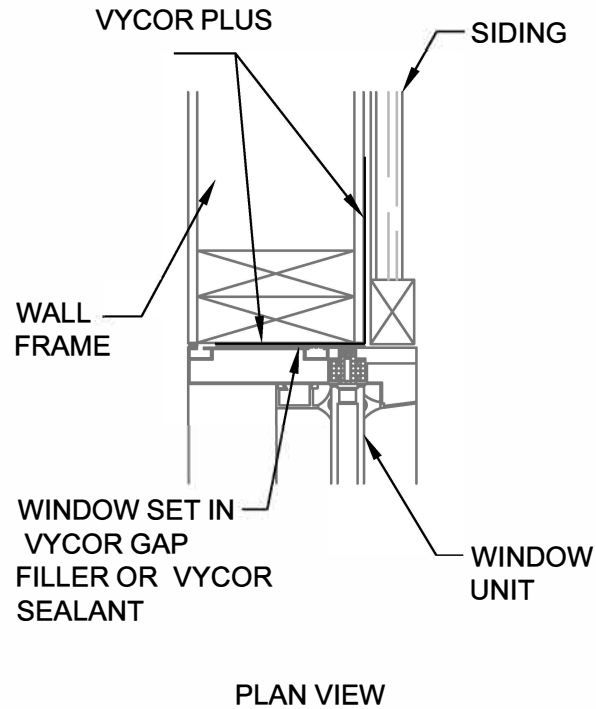


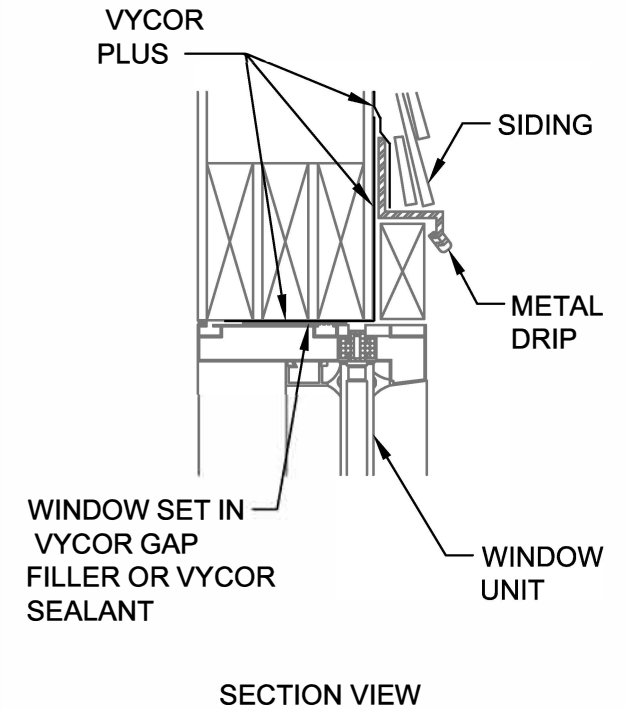
## WINDOW SILL



## WINDOW JAMB



## WINDOW HEADER



### NOTES:

- A. VISIT [GCPAT.COM](http://GCPAT.COM) FOR THE MOST CURRENT DETAILS, INSTALLATION VIDEO AND PRODUCT DATA SHEETS
- B. REMOVE RIPCORD® FROM VYCOR PLUS FOR EASE OF INSTALLATION
- C. IF APPLICABLE, LEAVE RELEASE PAPER ON LOWER HALF OF SILL FLASHING UNTIL FUTURE TIE-IN WITH WEATHER RESISTIVE BARRIER
- D. CHECK LOCAL BUILDING CODES FOR WEATHER RESISTIVE BARRIER REQUIREMENTS AND INSTALL VYCOR PLUS WITH WEATHER RESISTIVE BARRIER TO FORM WATER-SHEDDING LAPS
- E. INSTALL AND SECURE WINDOW PER MANUFACTURER'S RECOMMENDATION
- F. FOR CONCRETE, MASONRY OR WHERE ADHESION IS MARGINAL, USE PERM-A-BARRIER® WB PRIMER TO PROMOTE VYCOR ADHESION
- G. DETAIL ALSO RELEVANT FOR VYCOR V40 AND VYCOR BUTYL